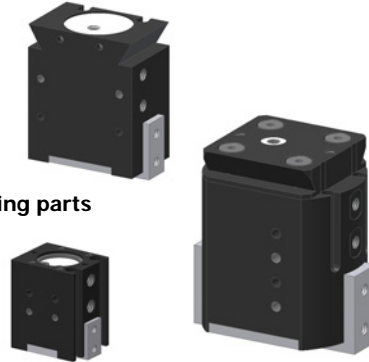


## PARALLEL GRIPPERS

### PH SERIES

#### STANDARD LINE

- Full range of sizes and strokes
- Adjustable finger stroke
- Robust design
- Durable construction with few moving parts
- Top and side mounting
- Optional cap styles
- Sensors Available



See Page **1-1.2**

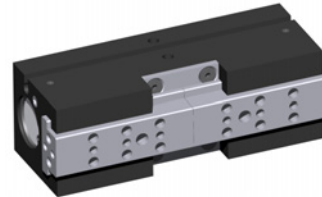


Miniature Parallels

### LP SERIES

#### LOW PROFILE - WIDE STROKE

- Full range of sizes and strokes
- Robust design
- Extremely Durable construction
- Precision Top and side mounting
- Sensors ready



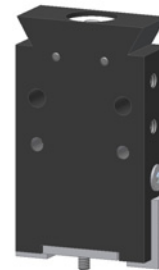
See Page **1-1.20**



### PH-20

#### STACKABLE

- Small center-to-center distance
- Adjustable finger stroke
- Robust design
- Durable construction with few moving parts
- Top and side mounting

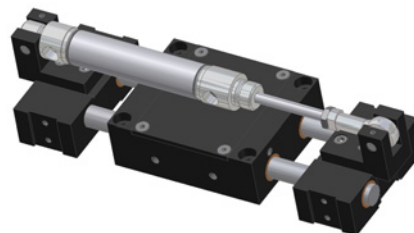


See Page **1-1.27**

### JF-20

#### WIDE BODY

- Large stroke
- Adjustable finger stroke
- Robust design
- Durable construction with few moving parts
- Top and side mounting



See Page **1-1.33**



### PH-SERIES

**DURA-GRIP PH** Series of Part Placement Devices is designed to provide a low cost gripping unit for use on transfer mechanisms. These air operated units grip parts internally or externally offering the designer a wide latitude in finger tooling arrangements. All units are shipped completely assembled, ready for mounting and attaching tooling.

#### QUALITY CONSTRUCTION

**DURA-GRIP PH** Series is ruggedly constructed with a minimum of moving parts. The body is hard coated, high strength aluminum and the fingers are hardened steel. A full range of finger strokes and gripping forces are available throughout the series. Both finger opening and closing position can be adjusted on the unit.

#### MOUNTING INFORMATION

**DURA-GRIP PH** Series can be mounted in any plane with standard dovetail or mounting holes on top, front and back of unit. These same holes can also be used to mount "stripper" devices. Optional Dowel holes (-D option) provide precision location of the units. Additional flat top cap styles are also available if dovetail is not necessary.

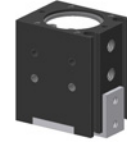
#### OPTIONAL FEATURES

Single Finger heads are available with either the left or right finger fixed and the other moving (-SFR or -SFL). Optional Magnetic or Inductive sensors are available on all heads. The sensors can be used to indicate finger position.

Use the PH Series of Parallel Grippers wherever you need durable and precise part placement.



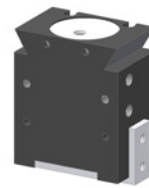
### PH-5 / PH-10



**STROKE**  
0.125" [3.17mm]  
to 0.187" [4.75mm]

See Page **1-2.4**

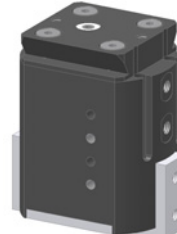
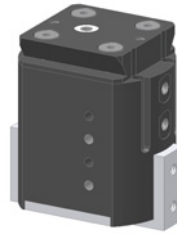
### PH-30 / PH-40



**STROKE**  
0.250" [6.35mm]

See Page **1-2.8**

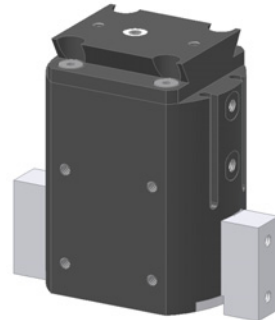
### PH-50 / PH-60



**STROKE**  
0.400" [10.2mm]  
to 0.520" [13.2mm]

See Page **1-2.13**

### PH-70



**STROKE**  
1.000" [25.4mm]

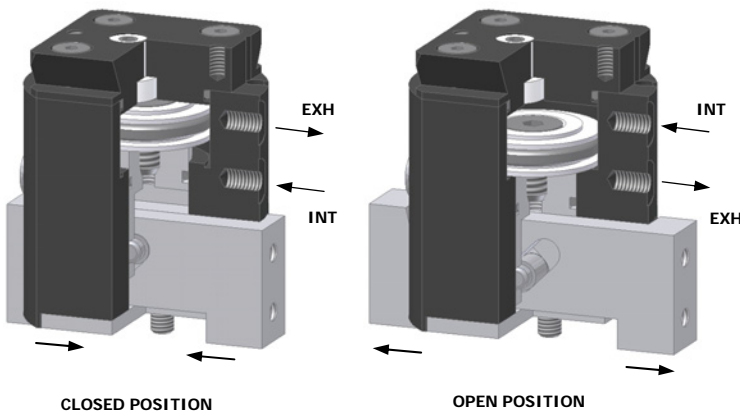
See Page **1-2.17**

### TECHNICAL SPECIFICATION

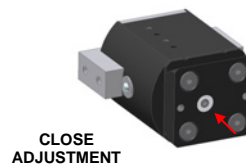
Pneumatic Specifications	ENGLISH	METRIC
Pressure Range	40-100 psi	3-7 bar
Cylinder Type	Double Acting	
Dynamic Seals	Buna-N	
Required Valves	4-way, 2 position	

Temperature Range		
Buna-N Seals (standard)	-30 to 180 F	-35 to 80 C
Viton Seals (-V option)	-20 to 300 F	-30 to 150 C

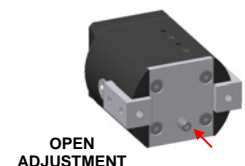
### OPERATING PRINCIPLES - STANDARD UNIT



- Air pressure drives double acting piston.
- Piston drives fingers through precision slots producing synchronized parallel motion.
- Gripper is capable of external and internal gripping

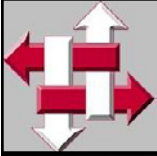


**CLOSE ADJUSTMENT**



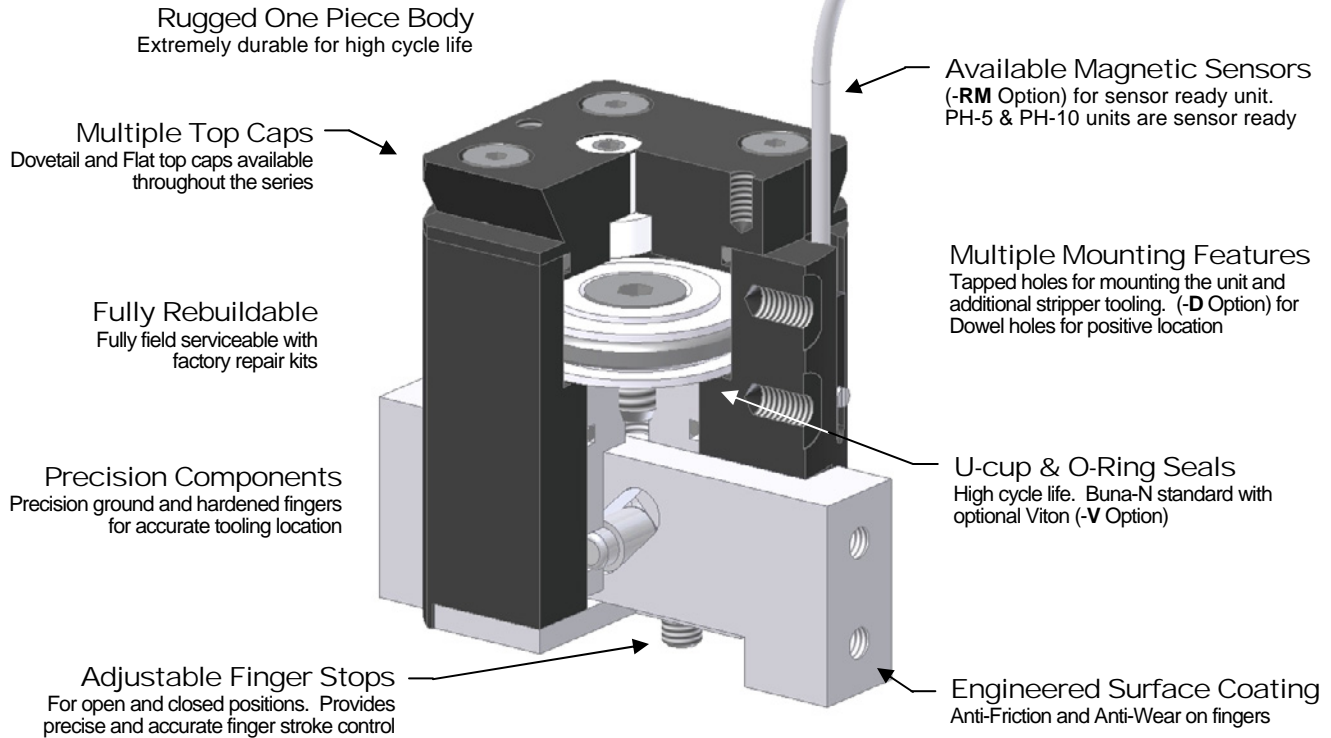
**OPEN ADJUSTMENT**

Finger closed and open position can be adjusted with set screws located in the bottom and top cap of the unit.



**PRODUCT FEATURES**

- Aircraft Grade Aluminum with black Hard coat
- Simple and Highly Durable Time tested, field approved design
- High Grip Force High gripping force-to-weight ratio

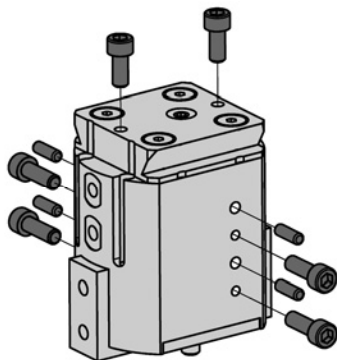


**DESIGNED - MANUFACTURED - ASSEMBLED IN THE USA**

**MOUNTING INFORMATION**

**Mounts and operates in any orientation**

**MAIN BODY**

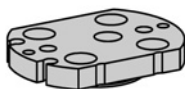


Mount up to Main body utilizing Dovetail or Tapped holes located on back, front, and top.

(-D) Option provides precision Dowel holes on the front and back side of the unit for positive location.

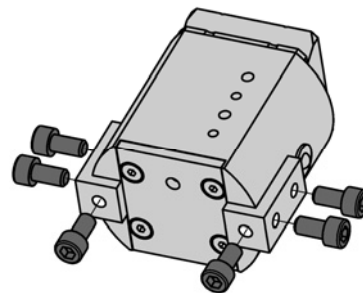
Mounting features vary, see product pages for specific mounting information

Additional Flat top cap available for a variety of mounting styles. See product pages for more information



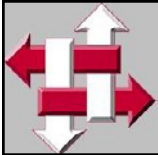
Flat Top Cap

**TOOLING**



Mount tooling to fingers using Tapped holes located on the bottom and sides of fingers

Key tooling to precision ground fingers for positive location.



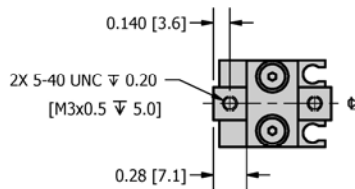
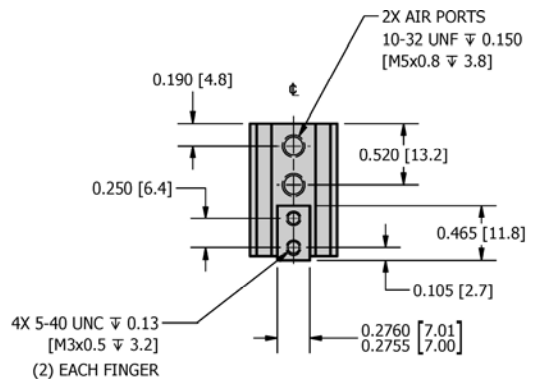
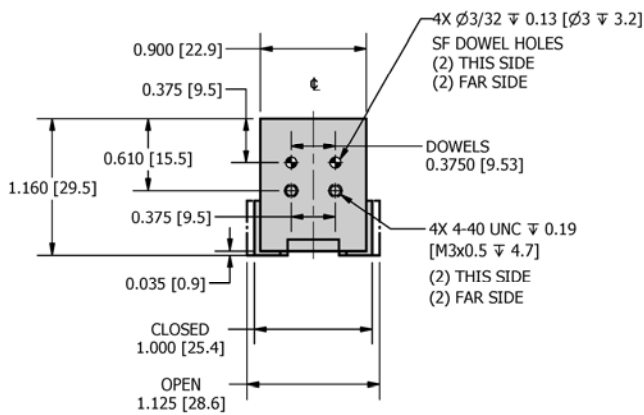
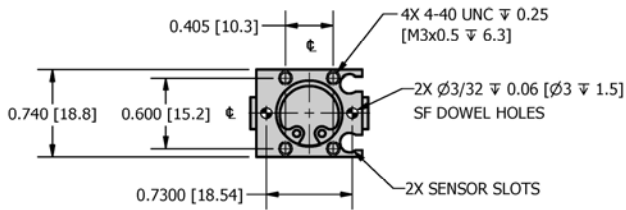
**R&I**  
MANUFACTURING CO.

**DURA-GRIP**  
PARALLEL GRIPPER



**PH-5**

**DIMENSIONAL DRAWING**



**SPECIFICATIONS**

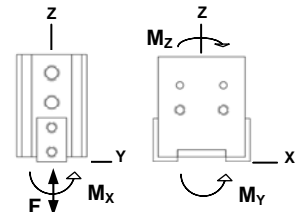
	PH-5	MPH-5
Standard Grip Force @ 100 psi [7 bar] *	6 lbf	26 N
Standard Stroke	0.125 in	3.1 mm
Base Weight	0.09 lbs	0.04 kg
Unit Displacement (grip and release)	0.015 in <sup>3</sup>	0.24 cm <sup>3</sup>
Cylinder Bore Diameter	0.437 in	11.09 mm
Actuation Time (no load)	0.14 sec	

\* Loading between lower jaw surface - zero tooling length

**LOADING**

	PH-5		MPH-5	
	Static	Dynamic	Static	Dynamic
Max Force F	25 lbf	4 lbf	111 N	17.8 N
Max Moment $M_{x,y,z}$	15 lbf-in	2.5 lbf-in	1.7 N-m	0.3 N-m

NOTE: Loading based on utilization of both fingers



**HOW TO ORDER : BASIC UNIT**

METRIC

**M** **PH-5** - **V**

SEALS

METRIC M

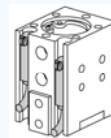
SEALS V - Viton (standard Buna - N)

**SAMPLE ORDER: PH-5-V**

Ex) PH-5 With Viton seals

**CUSTOM DESIGNS ALWAYS AVAILABLE  
PLEASE CONTACT US FOR INFORMATION**

**ACCESSORIES (order separately)**



PH-5 units are sensor ready for use with the sensors listed below

**MAGNETIC SENSOR KITS (Round track mounted)**

RSK-N - Magnetic Sensor NPN w/ quick disconnect Kit  
RSK-P - Magnetic Sensor PNP w/ quick disconnect Kit

**MAGNETIC SENSORS (Round track mounted)**

RS-N - Magnetic Sensor NPN w/ quick disconnect  
RS-P - Magnetic Sensor PNP w/ quick disconnect

**SENSOR CABLE**

SENCAB-5 - Quick Disconnect PUR Cable 5M Length



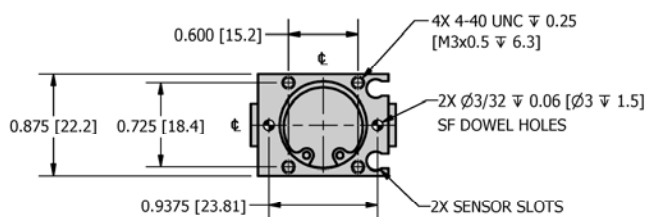
**R&I**  
MANUFACTURING CO.

**DURA-GRIP**  
PARALLEL GRIPPER



**PH-10**

**DIMENSIONAL DRAWING**

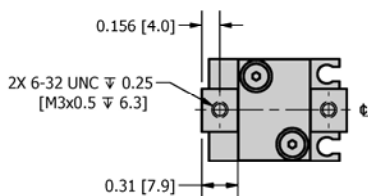
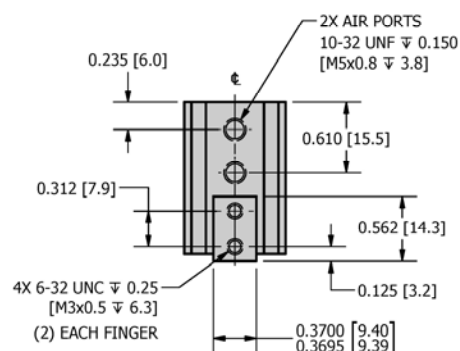
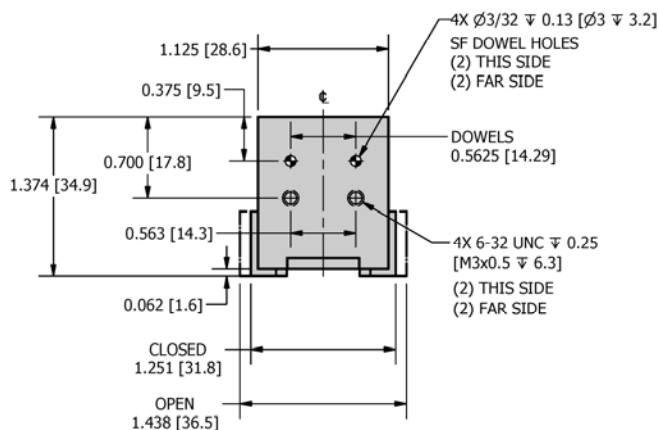


**SPECIFICATIONS**

Standard Grip Force @ 100 psi [7 bar] \*  
Standard Stroke  
Base Weight  
Unit Displacement (grip and release)  
Cylinder Bore Diameter  
Actuation Time (no load)

	PH-10	MPH-10
Standard Grip Force @ 100 psi [7 bar] *	12 lbf	53 N
Standard Stroke	0.187 in	4.7 mm
Base Weight	0.15 lbs	0.07 kg
Unit Displacement (grip and release)	0.05 in <sup>3</sup>	0.77 cm <sup>3</sup>
Cylinder Bore Diameter	0.625 in	15.88 mm
Actuation Time (no load)	0.16 sec	

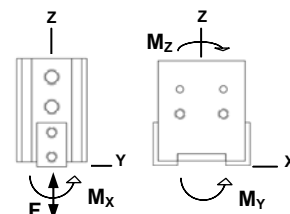
\* Loading between lower jaw surface - zero tooling length



**LOADING**

	PH-10		MPH-10	
	Static	Dynamic	Static	Dynamic
Max Force <b>F</b>	50 lbf	8 lbf	222 N	35 N
Max Moment <b>M<sub>x,y,z</sub></b>	30 lbf-in	5 lbf-in	3.4 N-m	0.6 N-m

NOTE: Loading based on utilization of both fingers



**HOW TO ORDER : BASIC UNIT**

**ACCESSORIES (order separately)**

METRIC

**M** **PH-10** - **V**

SEALS

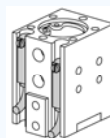
METRIC M

SEALS V - Viton (standard Buna - N)

**SAMPLE ORDER: MPH-10**

Ex) Metric PH-10

**CUSTOM DESIGNS ALWAYS AVAILABLE  
PLEASE CONTACT US FOR INFORMATION**



**PH-10 units are sensor ready for use with the sensors listed below**

**MAGNETIC SENSOR KITS (Round track mounted)**

RSK-N - Magnetic Sensor NPN w/ quick disconnect Kit  
RSK-P - Magnetic Sensor PNP w/ quick disconnect Kit

**MAGNETIC SENSORS (Round track mounted)**

RS-N - Magnetic Sensor NPN w/ quick disconnect  
RS-P - Magnetic Sensor PNP w/ quick disconnect

**SENSOR CABLE**

SENCAB-5 - Quick Disconnect PUR Cable 5M Length

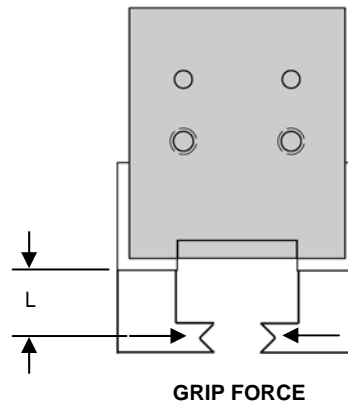


**ADDITIONAL INFORMATION**

**GRIP FORCE**

The maximum capacity of the gripper is a function of many variables and will change based on the shape of the part, surface finish, accelerations during transfer, the shape of the finger tooling, and air pressures. Use the Grip force calculated below *and* the application variables to determine the proper sizing of the gripper.

The Grip force - **F** is defined as the maximum force that can be applied to the fingers without moving. The force is analytically determined and will vary slightly with friction.



*English* **GRIP FORCE - F (lbf) = P<sub>AIR</sub> (psi) x G<sub>F</sub> x T<sub>F</sub>**

*Metric* **GRIP FORCE - F (N) = P<sub>AIR</sub> (bar) x G<sub>F</sub> x T<sub>F</sub>**

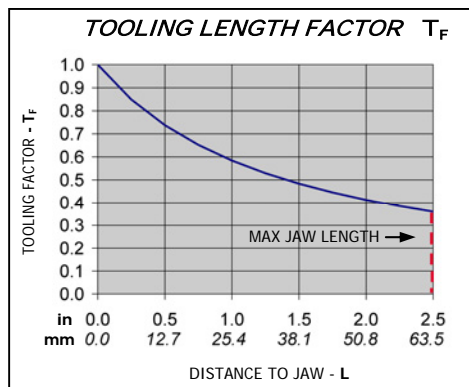
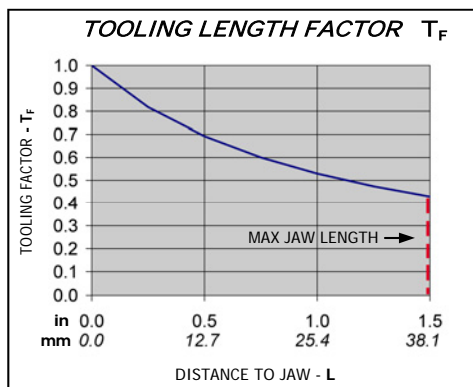
**P<sub>AIR</sub>** = Air Pressure  
**G<sub>F</sub>** = Grip Factor (see chart)  
**T<sub>F</sub>** = Tooling Factor (see graph)



It is recommended that finger tooling be designed to encompass the part as the grip force requirement is lower. If the grip cannot be performed by encompassing the part and a friction grip must be performed, always use a factor of safety of at least 4.

<b>GRIP FACTOR G<sub>F</sub></b>		PH-5	MPH-5
Standard Unit	EXTERNAL	<b>0.058</b>	<b>3.73</b>
	INTERNAL	<b>0.034</b>	<b>2.19</b>

<b>GRIP FACTOR G<sub>F</sub></b>		PH-10	MPH-10
Standard Unit	EXTERNAL	<b>0.119</b>	<b>7.67</b>
	INTERNAL	<b>0.076</b>	<b>4.89</b>



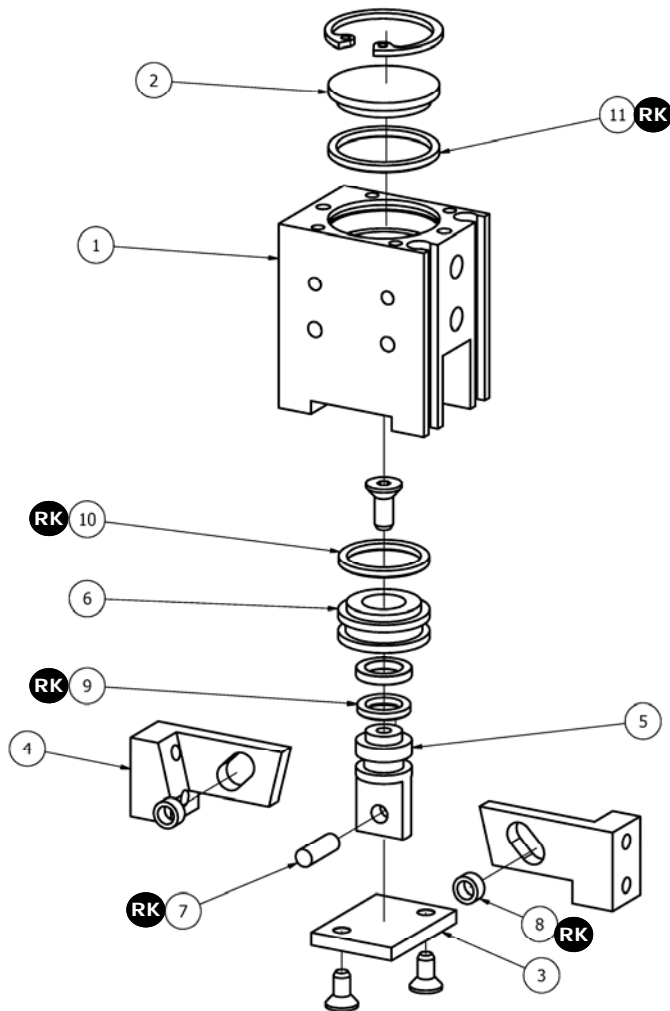


**R&I**  
MANUFACTURING CO.

**DURA-GRIP**  
PARALLEL GRIPPER

**PH-5/10**

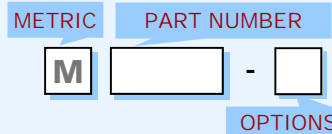
EXPLODED VIEW



**PARTS LIST**

**HOW TO ORDER PARTS**

ITEM	REQ'D	NAME	PH-5	PH-10	OPTIONS
1	1	Body	PH-5-1	PH-10-1	
2	1	Cylinder Cap *	PH-5-2	LP-100-6	
3	1	Bottom Cap	PH-5-3	PH-10-3	
4	2	Finger	PH-5-4	PH-10-4	
5	1	Piston Shank	PH-5-5	PH-10-5	
6	1	Piston	PH-5-6	PH-10-6	
7	1	Pin *	PH-5-7	PH-10-7	
8	2	Roller *	PH-5-8		
9	1	Piston Shank Seal *	ORG-008	ORG-010	-V <sup>1</sup>
10	1	Piston Seal *	ORG-011	ORG-014	-V <sup>1</sup>
11	1	Cylinder Cap Seal *	ORG-013	ORG-016	-V <sup>1</sup>
RK	1	Repair Kit * #	PH-5-RK	PH-10-RK	-V <sup>1</sup>



**SAMPLE ORDER: PH-5-1**

Ex) PH-5 Body

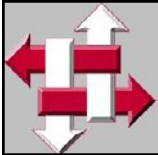
**OPTIONS** (see product pages for information)

<sup>1</sup> - V = Viton

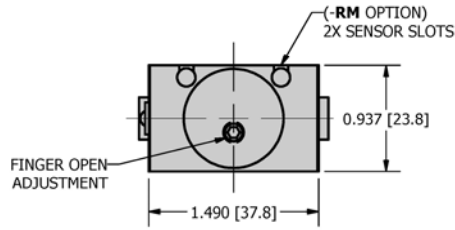
**NOTES**

\* - Metric code not required

# - Repair Kits include req'd qty of parts marked with RK



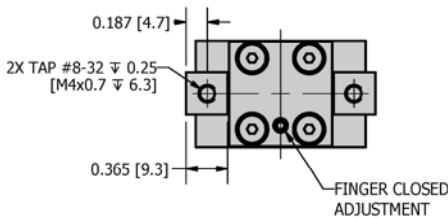
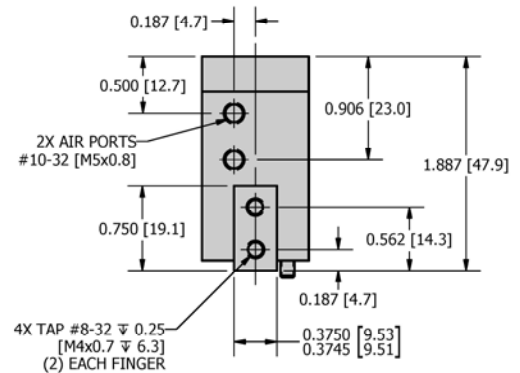
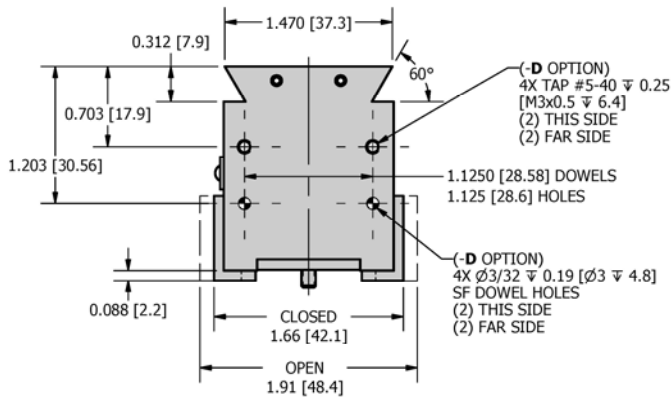
**DIMENSIONAL DRAWING**



**SPECIFICATIONS**

	PH-30	MPH-30
Standard Grip Force @ 100 psi [7 bar] *	21 lbf	93 N
Standard Stroke	0.25 in	6.4 mm
Base Weight	0.31 lbs	0.14 kg
Unit Displacement (grip and release)	0.12 in <sup>3</sup>	1.9 cm <sup>3</sup>
Cylinder Bore Diameter	0.875 in	22.2 mm
Actuation Time (no load)	0.20 sec	

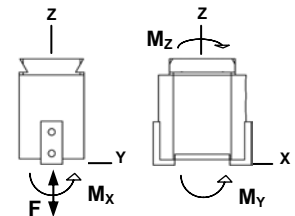
\* Loading between lower jaw surface - zero tooling length



**LOADING**

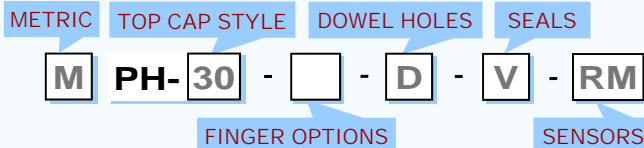
	PH-30		MPH-30	
	Static	Dynamic	Static	Dynamic
Max Force <b>F</b>	100 lbf	20 lbf	444.5 N	88.9 N
Max Moment <b>M<sub>x,y,z</sub></b>	75 lbf-in	15 lbf-in	8.5 N-m	1.7 N-m

NOTE: Loading based on utilization of both fingers



**HOW TO ORDER : BASIC UNIT**

**ACCESSORIES (order separately)**



METRIC M

TOP CAP 30 - 60° Dovetail (shown above)  
31 - Flat (see additional information section)

FINGER OPTIONS SFR - Stationary Right Finger  
SFL - Stationary Left Finger (oilier side)

DOWEL HOLES D - Dowel Holes for positive location of unit  
Includes tapped mounting holes

SEALS V - Viton (standard Buna - N)

SENSORS RM - Magnetic Sensor Ready  
Includes Sensor slots and Piston Magnet. Sensors sold separately - see Magnetic Sensors

**MAGNETIC SENSOR KITS \* (Round track mounted)**

RSK-N - Magnetic Sensor NPN w/ quick disconnect Kit  
RSK-P - Magnetic Sensor PNP w/ quick disconnect Kit

\* Requires sensor ready (-RM). Sensor kits include (2) sensors and (2) 5 meter cables.

**MAGNETIC SENSORS \* (Round track mounted)**

RS-N - Magnetic Sensor NPN w/ quick disconnect  
RS-P - Magnetic Sensor PNP w/ quick disconnect

\* Requires sensor ready (-RM). Includes (1) sensor.

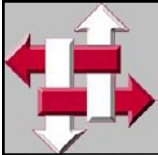
**SENSOR CABLE**

SENCAB-5 - Quick Disconnect PUR Cable 5M Length

**SAMPLE ORDER: PH-31-D-RM**

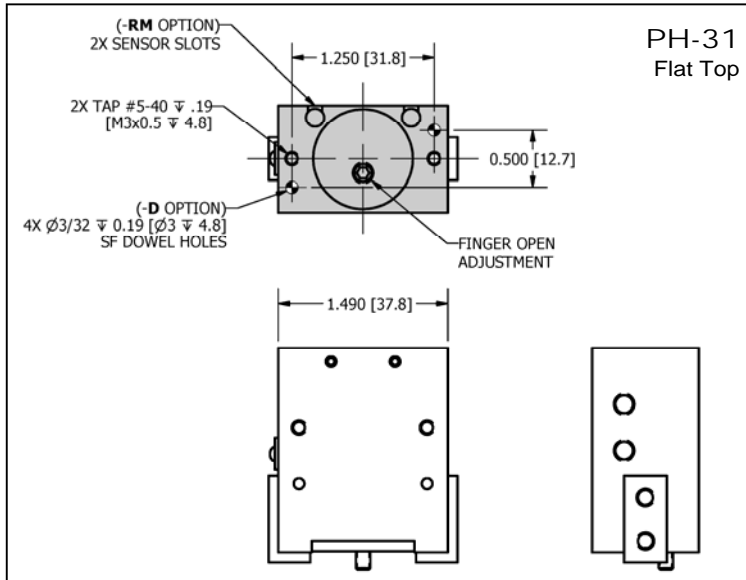
Ex) PH-31 (Flat Top Cap) With Dowel Holes and Sensor Ready

**CUSTOM DESIGNS ALWAYS AVAILABLE  
PLEASE CONTACT US FOR INFORMATION**

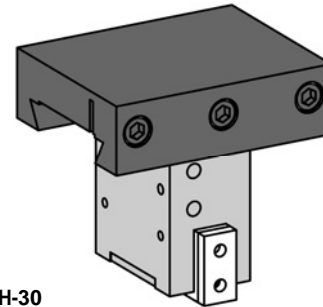


**ADDITIONAL MOUNTING INFORMATION**

The **DURA-GRIP PH-30** series offers an additional flat top for further flexibility to meet your design requirements.



For further flexibility with the Dovetail, mount the PH-30 with custom dovetail tooling or use the DP-21 Universal receiver. Up to 2 PH-30 grippers can be mounted in the DP-21.



PH-30

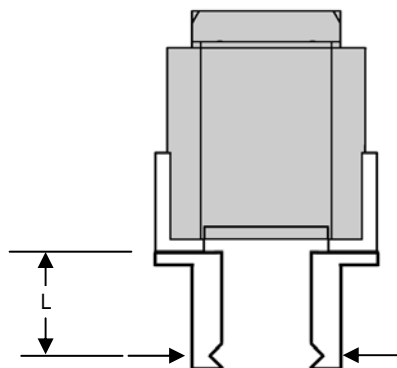
See **DURA-GRIP ACCESSORIES** Page for the **DP-21** Universal Dovetail receiver Page 1-3.1

**ADDITIONAL INFORMATION**

**GRIP FORCE**

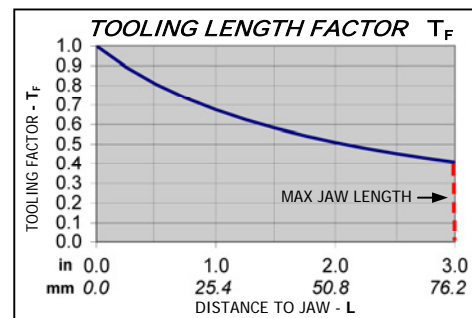
The maximum capacity of the gripper is a function of many variables and will change based on the shape of the part, surface finish, accelerations during transfer, the shape of the finger tooling, and air pressures. Use the Grip force calculated below *and* the application variables to determine the proper sizing of the gripper.

The Grip force - **F** is defined as the maximum force that can be applied to the fingers without moving. The force is analytically determined and will vary slightly with friction.



**GRIP FORCE**

<b>GRIP FACTOR <math>G_F</math></b>		PH-30	MPH-30
Standard Unit	EXTERNAL	<b>0.214</b>	<b>13.76</b>
	INTERNAL	<b>0.125</b>	<b>8.08</b>



English **GRIP FORCE - F (lbf) =  $P_{AIR}$  (psi) x  $G_F$  x  $T_F$**

Metric **GRIP FORCE - F (N) =  $P_{AIR}$  (bar) x  $G_F$  x  $T_F$**

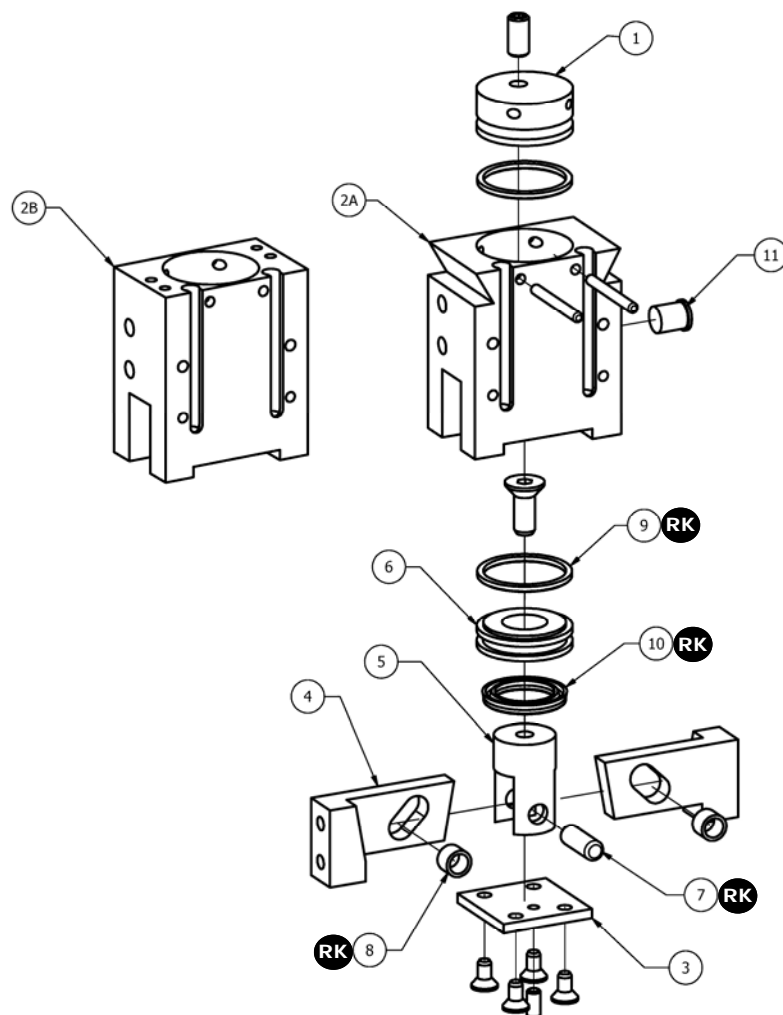
- $P_{AIR}$  = Air Pressure
- $G_F$  = Grip Factor (see chart)
- $T_F$  = Tooling Factor (see graph)



It is recommended that finger tooling be designed to encompass the part as the grip force requirement is lower. If the grip cannot be performed by encompassing the part and a friction grip must be performed, always use a factor of safety of at least 4.



EXPLODED VIEW



PARTS LIST

HOW TO ORDER PARTS

ITEM	REQ'D	NAME	PH-30	OPTIONS
1	1	Top Cap	PH-30-1	
2A	1	Dovetail Body	PH-30-2	-SFR <sup>2</sup> -SFL <sup>2</sup> -D <sup>3</sup> -RM <sup>4</sup>
2B	1	Flat Body	PH-31-2	-SFR <sup>2</sup> -SFL <sup>2</sup> -D <sup>3</sup> -RM <sup>4</sup>
3	1	Bottom Cap	PH-30-3	
4	2	Finger	PH-40-4	-SFR <sup>2</sup> -SFL <sup>2</sup>
5	1	Piston Shank	PH-40-5	
6	1	Piston	PH-40-6	-RM <sup>5</sup>
7	1	Pin *	PH-40-7	
8	2	Roller *	PH-40-8	
9	2	Top Cap & Piston Seal *	ORG-018	-V <sup>1</sup>
10	1	Piston Shank Seal *	UCP-145	-V <sup>1</sup>
11	1	Oiler *	OIL-250	
RK	1	Repair Kit* #	PH-30-RK	-V <sup>1</sup>

METRIC

PART NUMBER

M

[ ] - [ ]

OPTIONS

**SAMPLE ORDER: PH-31-2**

Ex) PH-31 (Flat Top) Body

OPTIONS (see product pages for information)

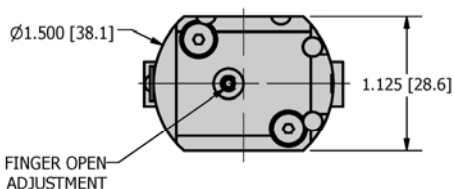
- 1 - V = Viton
- 2 - SFR / SFL = Stationary Finger Right or Left
- 3 - D = Dowel Pins
- 4 - RM = Magnetic Sensor Ready

NOTES

- \* - Metric code not required
- # - Repair Kits include req'd qty of parts marked with RK



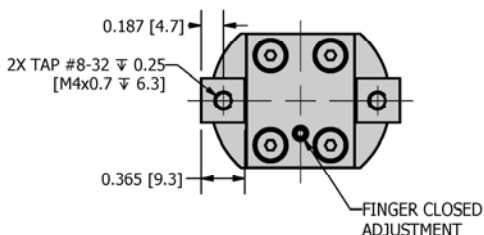
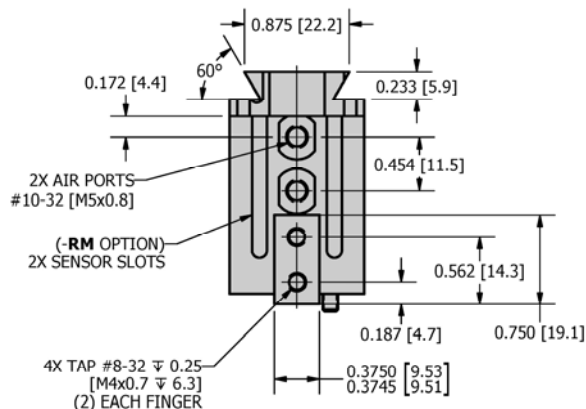
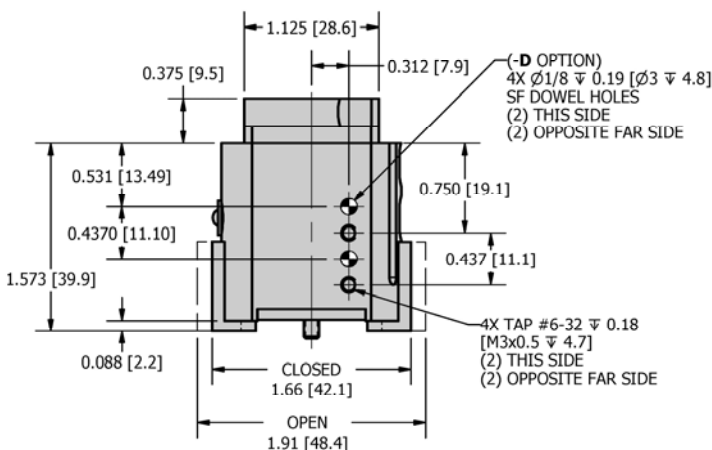
**DIMENSIONAL DRAWING**



**SPECIFICATIONS**

	PH-40	MPH-40
Standard Grip Force @ 100 psi [7 bar] *	21 lbf	93 N
Standard Stroke	0.25 in	6.4 mm
Base Weight	0.31 lbs	0.14 kg
Unit Displacement (grip and release)	0.12 in <sup>3</sup>	1.9 cm <sup>3</sup>
Cylinder Bore Diameter	0.875 in	22.2 mm
Actuation Time (no load)	0.20 sec	

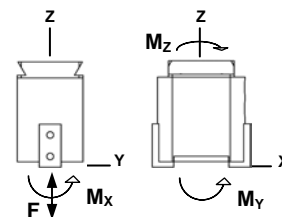
\* Loading between lower jaw surface - zero tooling length



**LOADING**

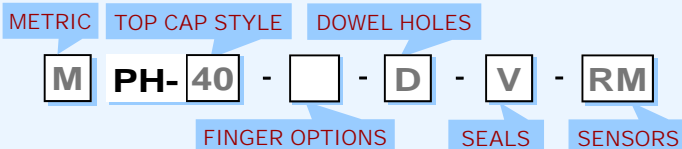
	PH-40		MPH-40	
	Static	Dynamic	Static	Dynamic
Max Force F	100 lbf	20 lbf	444.5 N	88.9 N
Max Moment $M_{x,y,z}$	75 lbf-in	15 lbf-in	8.5 N-m	1.7 N-m

NOTE: Loading based on utilization of both fingers



**HOW TO ORDER : BASIC UNIT**

**ACCESSORIES (order separately)**



- METRIC** M
- TOP CAP** 40 - 60° Dovetail (shown above)  
41 - Flat (see additional information section)
- FINGER OPTIONS** SFR - Stationary Right Finger  
SFL - Stationary Left Finger (oiler side)
- DOWEL HOLES** D - Dowel Holes for positive location of unit
- SEALS** V - Viton (standard Buna - N)
- SENSORS** RM - Magnetic Sensor Ready  
Includes Sensor slots and Piston Magnet . Sensors sold separately - see Magnetic Sensors

**MAGNETIC SENSOR KITS \* (Round track mounted)**

- RSK-N - Magnetic Sensor NPN w/ quick disconnect Kit
- RSK-P - Magnetic Sensor PNP w/ quick disconnect Kit
- \* Requires sensor ready (-RM). Sensor kits include (2) sensors and (2) 5 meter cables.

**MAGNETIC SENSORS \* (Round track mounted)**

- RS-N - Magnetic Sensor NPN w/ quick disconnect
- RS-P - Magnetic Sensor PNP w/ quick disconnect
- \* Requires sensor ready (-RM). Includes (1) sensor.

**SENSOR CABLE**

- SENCAB-5 - Quick Disconnect PUR Cable 5M Length

**SAMPLE ORDER: PH-40-V**

Ex) PH-40 (Dovetail Top Cap) With Viton Seals

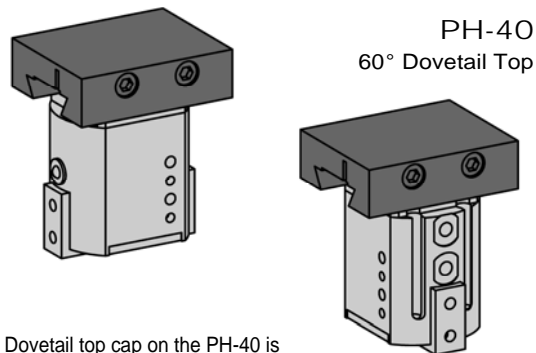
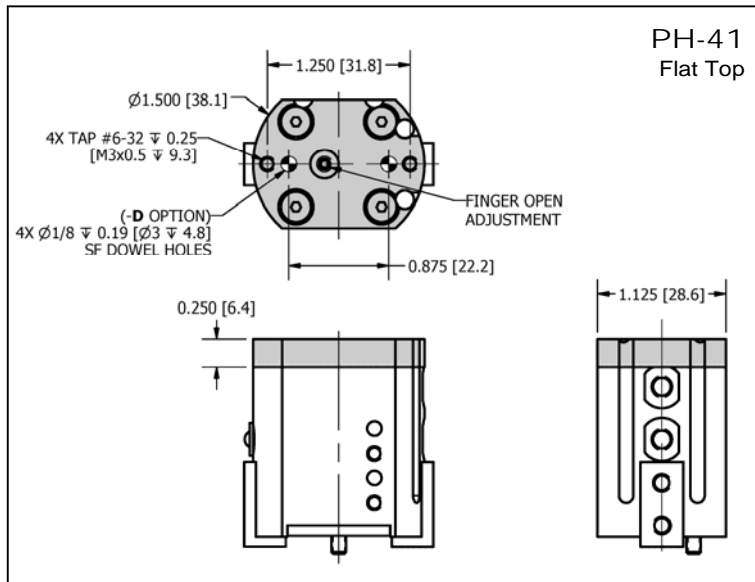
**CUSTOM DESIGNS ALWAYS AVAILABLE  
PLEASE CONTACT US FOR INFORMATION**



**ADDITIONAL MOUNTING INFORMATION**

The **DURA-GRIP PH-40** series offers an additional flat top for further flexibility to meet your design requirements.

For further flexibility with the Dovetail, mount the PH-40 with custom dovetail tooling or use the DP-11 Universal receiver.



The Dovetail top cap on the PH-40 is designed to be rotated to allow either orientation shown

See **DURA-GRIP ACCESSORIES** Page for the **DP-11** Universal Dovetail receiver Page **1-3.1**

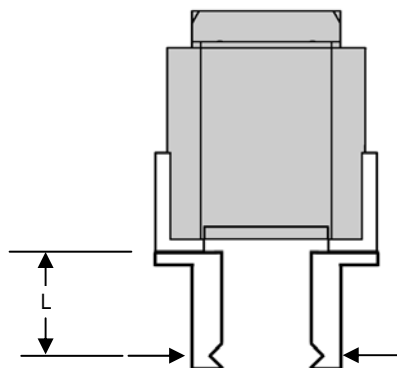
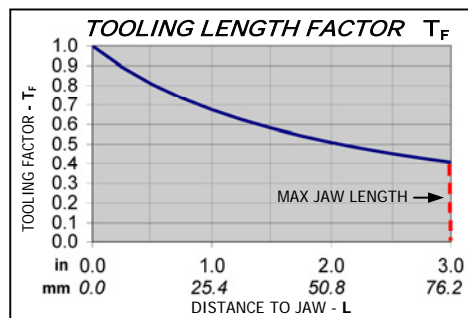
**ADDITIONAL INFORMATION**

**GRIP FORCE**

The maximum capacity of the gripper is a function of many variables and will change based on the shape of the part, surface finish, accelerations during transfer, the shape of the finger tooling, and air pressures. Use the Grip force calculated below *and* the application variables to determine the proper sizing of the gripper.

The Grip force - **F** is defined as the maximum force that can be applied to the fingers without moving. The force is analytically determined and will vary slightly with friction.

<b>GRIP FACTOR <math>G_F</math></b>		<b>PH-40</b>	<b>MPH-40</b>
Standard Unit	EXTERNAL	<b>0.214</b>	<b>13.76</b>
	INTERNAL	<b>0.125</b>	<b>8.08</b>



English **GRIP FORCE - F (lbf) =  $P_{AIR}$  (psi) x  $G_F$  x  $T_F$**

Metric **GRIP FORCE - F (N) =  $P_{AIR}$  (bar) x  $G_F$  x  $T_F$**

- $P_{AIR}$  = Air Pressure
- $G_F$  = Grip Factor (see chart)
- $T_F$  = Tooling Factor (see graph)

It is recommended that finger tooling be designed to encompass the part as the grip force requirement is lower. If the grip cannot be performed by encompassing the part and a friction grip must be performed, always use a factor of safety of at least 4.

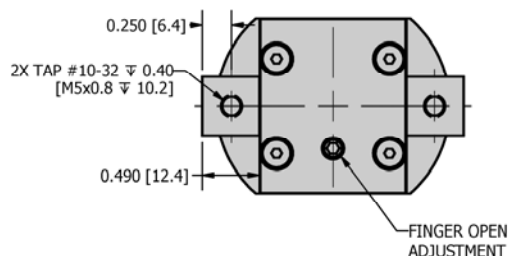
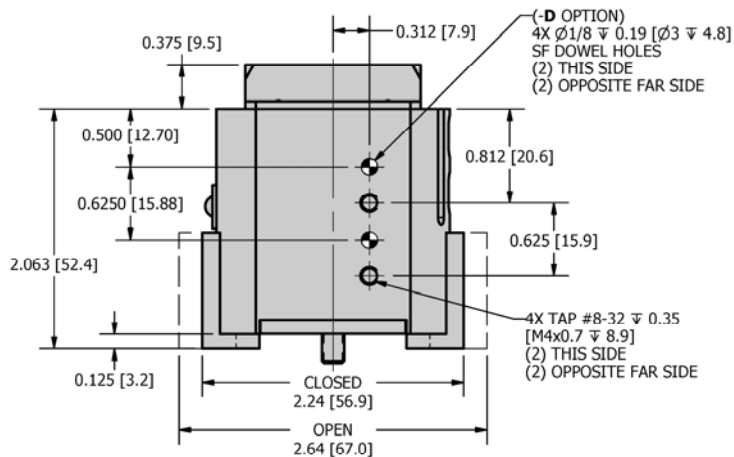
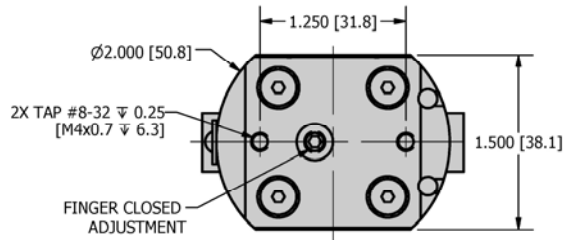


**R&I**  
MANUFACTURING CO.

**DURA-GRIP**  
PARALLEL GRIPPER

**PH-50**

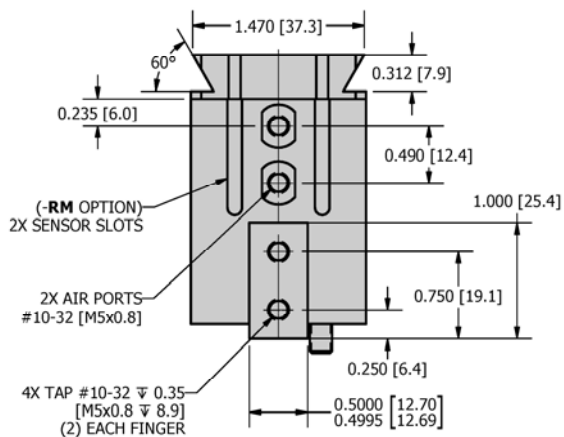
**DIMENSIONAL DRAWING**



**SPECIFICATIONS**

	PH-50	MPH-50
Standard Grip Force @ 100 psi [7 bar] *	20 lbf	89 N
Standard Stroke	0.40 in	10.2 mm
Base Weight	0.81 lbs	0.37 kg
Unit Displacement (grip and release)	0.31 in <sup>3</sup>	5.1 cm <sup>3</sup>
Cylinder Bore Diameter	1.125 in	28.6 mm
Actuation Time (no load)	0.30 sec	

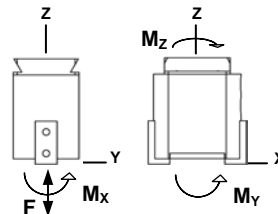
\* Loading between lower jaw surface - zero tooling length



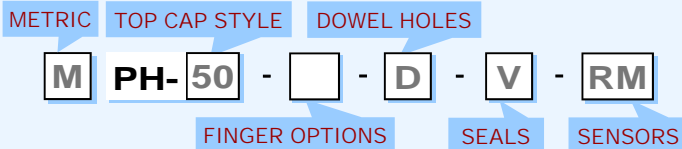
**LOADING**

	PH-50		MPH-50	
	Static	Dynamic	Static	Dynamic
Max Force <b>F</b>	200 lbf	25 lbf	889 N	111 N
Max Moment <b>M<sub>x,y,z</sub></b>	125 lbf-in	25 lbf-in	14.1 N-m	2.8 N-m

NOTE: Loading based on utilization of both fingers



**HOW TO ORDER : BASIC UNIT**



- METRIC** M
- TOP CAP** 50 - 60° Dovetail (shown above)  
51 - Flat (see additional information section)
- FINGER OPTIONS** SFR - Stationary Right Finger  
SFL - Stationary Left Finger (oiler side)
- DOWEL HOLES** D - Dowel Holes for positive location of unit
- SEALS** V - Viton (standard Buna - N)
- SENSORS** RM - Magnetic Sensor Ready  
Includes Sensor slots and Piston Magnet . Sensors sold separately - see Magnetic Sensors

**SAMPLE ORDER: PH-51-SFR**

Ex) PH-51 (Flat Top Cap) With Stationary Right Finger

**ACCESSORIES (order separately)**

**MAGNETIC SENSOR KITS \* (Round track mounted)**

- RSK-N - Magnetic Sensor NPN w/ quick disconnect Kit
- RSK-P - Magnetic Sensor PNP w/ quick disconnect Kit

\* Requires sensor ready (-RM). Sensor kits include (2) sensors and (2) 5 meter cables.

**MAGNETIC SENSORS \* (Round track mounted)**

- RS-N - Magnetic Sensor NPN w/ quick disconnect
- RS-P - Magnetic Sensor PNP w/ quick disconnect

\* Requires sensor ready (-RM). Includes (1) sensor.

**SENSOR CABLE**

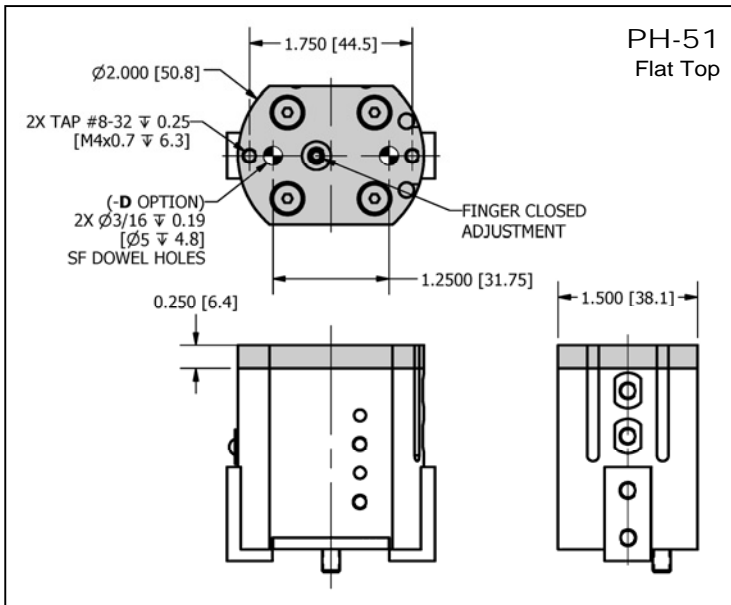
- SENCAB-5 - Quick Disconnect PUR Cable 5M Length

**CUSTOM DESIGNS ALWAYS AVAILABLE  
PLEASE CONTACT US FOR INFORMATION**

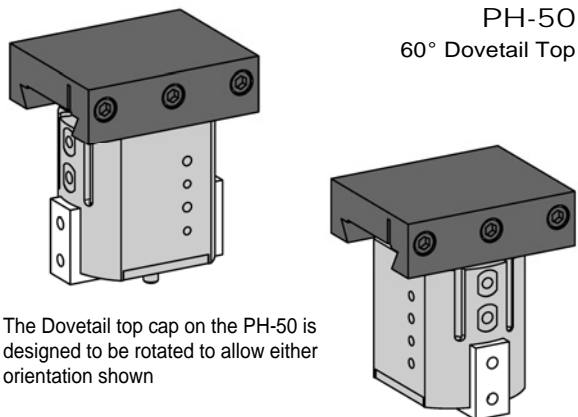


**ADDITIONAL MOUNTING INFORMATION**

The **DURA-GRIP PH-50** series offers an additional flat top for further flexibility to meet your design requirements.



For further flexibility with the Dovetail, mount the PH-50 with custom dovetail tooling or use the DP-21 Universal receiver.



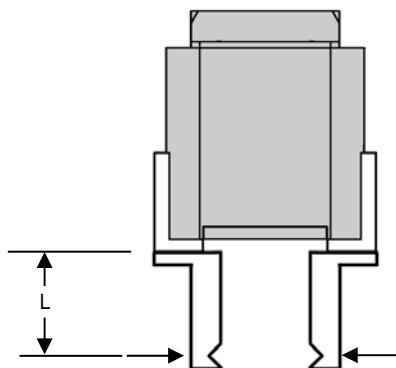
See **DURA-GRIP ACCESSORIES** Page for the **DP-21** Universal Dovetail receiver Page **1-3.1**

**ADDITIONAL INFORMATION**

**GRIP FORCE**

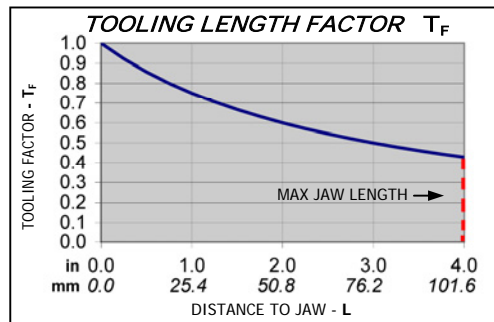
The maximum capacity of the gripper is a function of many variables and will change based on the shape of the part, surface finish, accelerations during transfer, the shape of the finger tooling, and air pressures. Use the Grip force calculated below *and* the application variables to determine the proper sizing of the gripper.

The Grip force - **F** is defined as the maximum force that can be applied to the fingers without moving. The force is analytically determined and will vary slightly with friction.



**GRIP FORCE**

<b>GRIP FACTOR <math>G_F</math></b>		PH-50	MPH-50
Standard Unit	EXTERNAL	<b>0.201</b>	<b>12.93</b>
	INTERNAL	<b>0.361</b>	<b>23.28</b>



English **GRIP FORCE - F (lbf) =  $P_{AIR}$  (psi) x  $G_F$  x  $T_F$**

Metric **GRIP FORCE - F (N) =  $P_{AIR}$  (bar) x  $G_F$  x  $T_F$**

- $P_{AIR}$  = Air Pressure
- $G_F$  = Grip Factor (see chart)
- $T_F$  = Tooling Factor (see graph)



It is recommended that finger tooling be designed to encompass the part as the grip force requirement is lower. If the grip cannot be performed by encompassing the part and a friction grip must be performed, always use a factor of safety of at least 4.

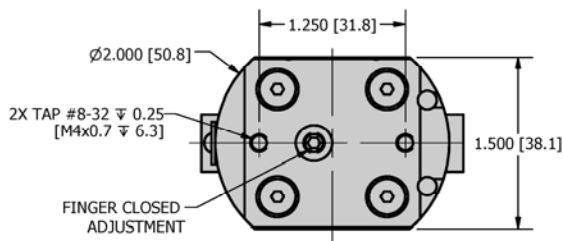


**R&I**  
MANUFACTURING CO.

**DURA-GRIP**  
PARALLEL GRIPPER

**PH-60**

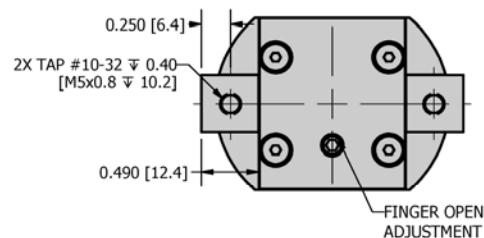
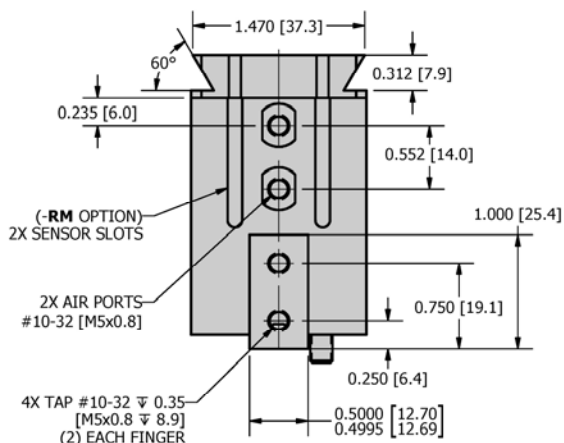
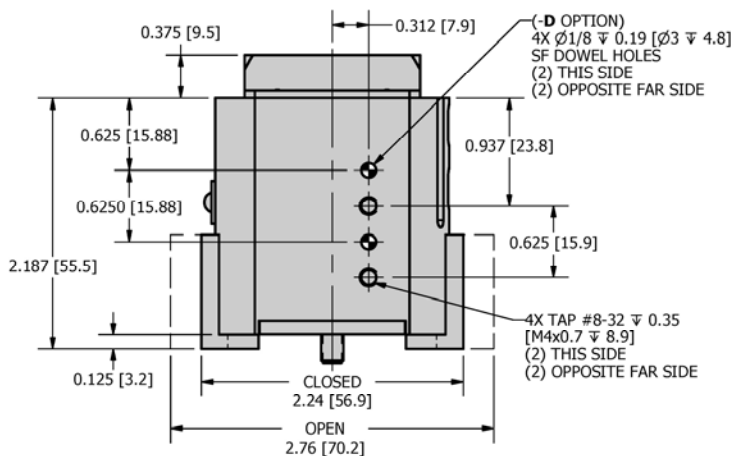
**DIMENSIONAL DRAWING**



**SPECIFICATIONS**

	PH-60	MPH-60
Standard Grip Force @ 100 psi [7 bar] *	20 lbf	89 N
Standard Stroke	0.52 in	13.2 mm
Base Weight	0.88 lbs	0.40 kg
Unit Displacement (grip and release)	0.40 in <sup>3</sup>	6.6 cm <sup>3</sup>
Cylinder Bore Diameter	1.125 in	28.6 mm
Actuation Time (no load)	0.40 sec	

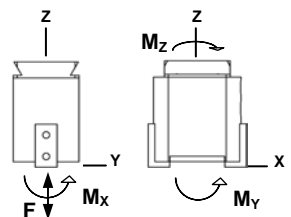
\* Loading between lower jaw surface - zero tooling length



**LOADING**

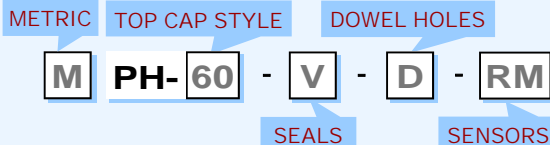
	PH-60		MPH-60	
	Static	Dynamic	Static	Dynamic
Max Force F	200 lbf	25 lbf	889 N	111 N
Max Moment M <sub>x,y,z</sub>	125 lbf-in	25 lbf-in	14.1 N-m	2.8 N-m

NOTE: Loading based on utilization of both fingers



**HOW TO ORDER : BASIC UNIT**

**ACCESSORIES (order separately)**



- METRIC** M
- TOP CAP** 60 - 60° Dovetail (shown above)  
61 - Flat (see additional information section)
- SEALS** V - Viton (standard Buna - N)
- DOWEL HOLES** D - Dowel Holes for positive location of unit
- SENSORS** RM - Magnetic Sensor Ready  
Includes Sensor slots and Piston Magnet . Sensors sold separately - see Magnetic Sensors

**SAMPLE ORDER: PH-60-D-RM**

Ex) PH-60 (Dovetail Top Cap) With Dowel Holes and Sensor Ready

**MAGNETIC SENSOR KITS \* (Round track mounted)**

- RSK-N - Magnetic Sensor NPN w/ quick disconnect Kit
  - RSK-P - Magnetic Sensor PNP w/ quick disconnect Kit
- \* Requires sensor ready (-RM). Sensor kits include (2) sensors and (2) 5 meter cables.

**MAGNETIC SENSORS \* (Round track mounted)**

- RS-N - Magnetic Sensor NPN w/ quick disconnect
  - RS-P - Magnetic Sensor PNP w/ quick disconnect
- \* Requires sensor ready (-RM). Includes (1) sensor.

**SENSOR CABLE**

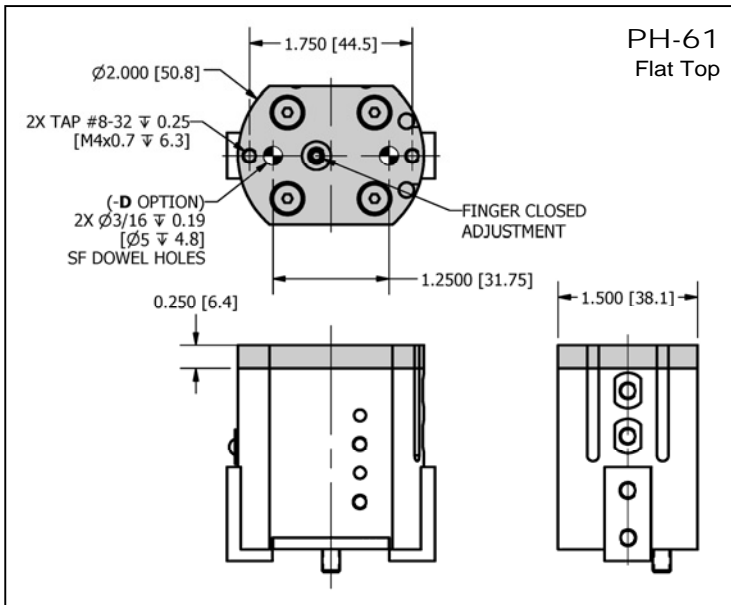
- SENCAB-5 - Quick Disconnect PUR Cable 5M Length

**CUSTOM DESIGNS ALWAYS AVAILABLE  
PLEASE CONTACT US FOR INFORMATION**

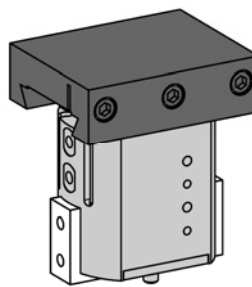


**ADDITIONAL MOUNTING INFORMATION**

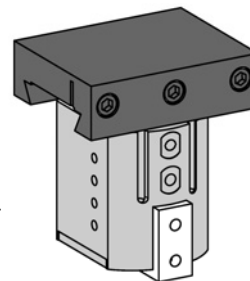
The **DURA-GRIP PH-60** series offers an additional flat top for further flexibility to meet your design requirements.



For further flexibility with the Dovetail, mount the PH-60 with custom dovetail tooling or use the DP-21 Universal receiver.



**PH-60**  
60° Dovetail Top



The Dovetail top cap on the PH-60 is designed to be rotated to allow either orientation shown

See **DURA-GRIP ACCESSORIES** Page for the **DP-21** Universal Dovetail receiver Page 1-3.1

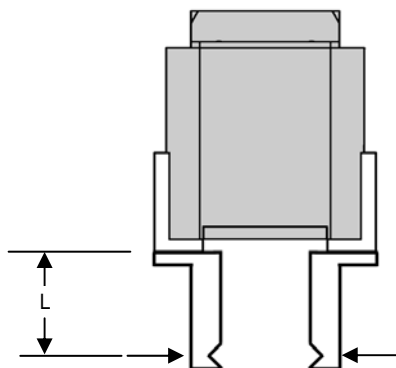
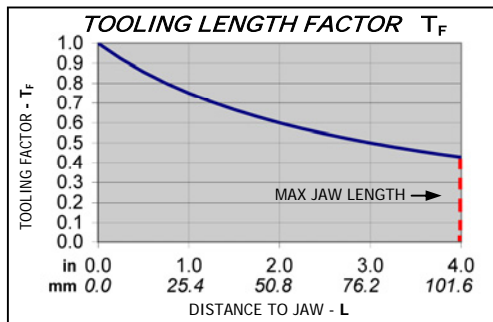
**ADDITIONAL INFORMATION**

**GRIP FORCE**

The maximum capacity of the gripper is a function of many variables and will change based on the shape of the part, surface finish, accelerations during transfer, the shape of the finger tooling, and air pressures. Use the Grip force calculated below *and* the application variables to determine the proper sizing of the gripper.

The Grip force - **F** is defined as the maximum force that can be applied to the fingers without moving. The force is analytically determined and will vary slightly with friction.

<b>GRIP FACTOR <math>G_F</math></b>		PH-60	MPH-60
Standard Unit	EXTERNAL	<b>0.201</b>	<b>12.93</b>
	INTERNAL	<b>0.361</b>	<b>23.28</b>



**GRIP FORCE**

English **GRIP FORCE - F (lbf) =  $P_{AIR}$  (psi) x  $G_F$  x  $T_F$**

Metric **GRIP FORCE - F (N) =  $P_{AIR}$  (bar) x  $G_F$  x  $T_F$**

- $P_{AIR}$  = Air Pressure
- $G_F$  = Grip Factor (see chart)
- $T_F$  = Tooling Factor (see graph)



It is recommended that finger tooling be designed to encompass the part as the grip force requirement is lower. If the grip cannot be performed by encompassing the part and a friction grip must be performed, always use a factor of safety of at least 4.

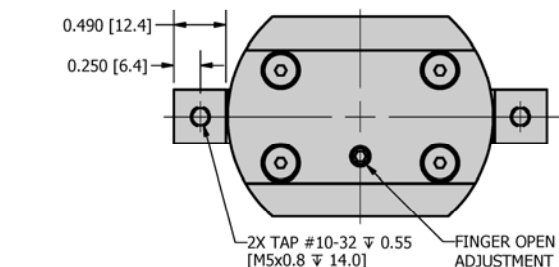
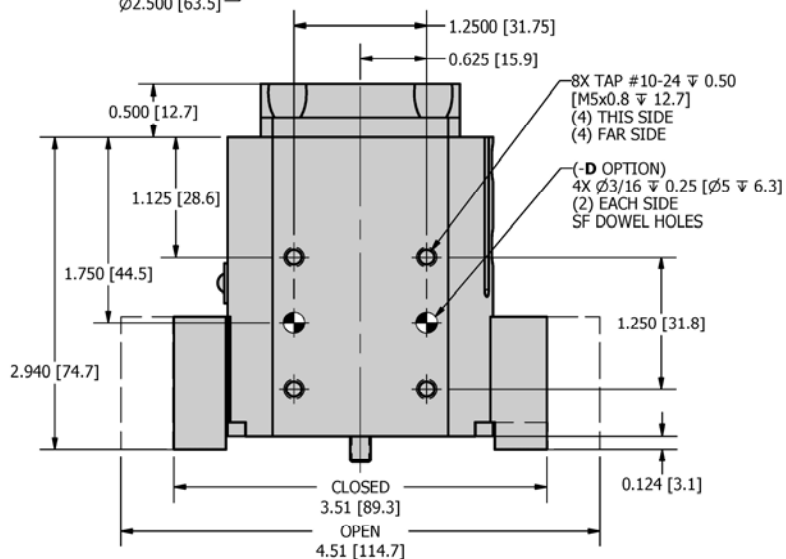
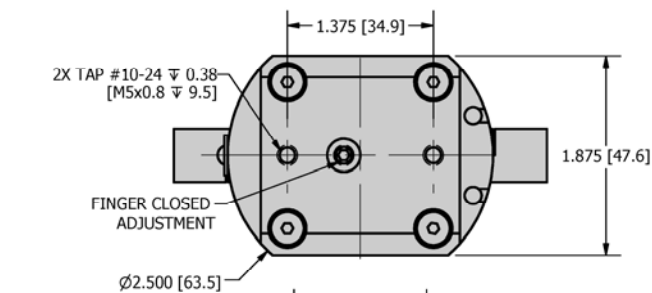


**R&I**  
MANUFACTURING CO.

**DURA-GRIP**  
PARALLEL GRIPPER

**PH-70**

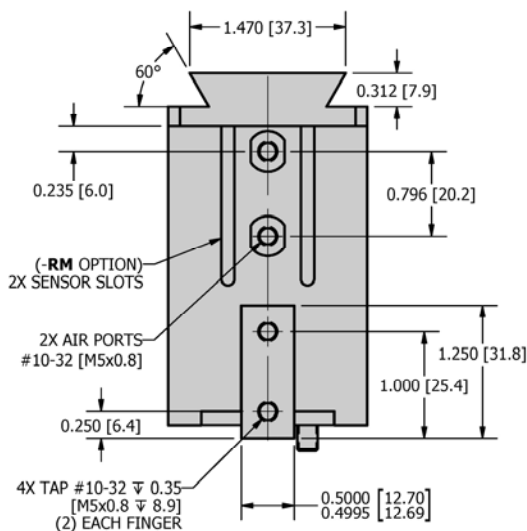
**DIMENSIONAL DRAWING**



**SPECIFICATIONS**

	PH-70	MPH-70
Standard Grip Force @ 100 psi [7 bar] *	50 lbf	222 N
Standard Stroke	1.00 in	25.4 mm
Base Weight	1.75 lbs	0.79 kg
Unit Displacement (grip and release)	1.58 in <sup>3</sup>	25.3 cm <sup>3</sup>
Cylinder Bore Diameter	1.500 in	38.1 mm
Actuation Time (no load)	0.50 sec	

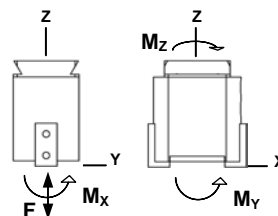
\* Loading between lower jaw surface - zero tooling length



**LOADING**

	PH-70		MPH-70	
	Static	Dynamic	Static	Dynamic
Max Force <b>F</b>	250 lbf	35 lbf	1111 N	155.6 N
Max Moment <b>M<sub>x,y,z</sub></b>	200 lbf-in	40 lbf-in	22.6 N-m	4.5 N-m

NOTE: Loading based on utilization of both fingers



**HOW TO ORDER : BASIC UNIT**

**ACCESSORIES (order separately)**

METRIC TOP CAP STYLE DOWEL HOLES

**M PH-70 - V - D - RM**

SEALS SENSORS

METRIC M

TOP CAP 70 - 60° Dovetail (shown above)  
71 - Flat (see additional information section)

SEALS V - Viton (standard Buna - N)

DOWEL HOLES D - Dowel Holes for positive location of unit

SENSORS RM - Magnetic Sensor Ready  
Includes Sensor slots and Piston Magnet. Sensors sold separately - see Magnetic Sensors

**SAMPLE ORDER: PH-71-RM**

Ex) PH-71 (Flat Top Cap) With Sensor Ready Option

**MAGNETIC SENSOR KITS \* (Round track mounted)**

RSK-N - Magnetic Sensor NPN w/ quick disconnect Kit  
RSK-P - Magnetic Sensor PNP w/ quick disconnect Kit

\* Requires sensor ready (-RM). Sensor kits include (2) sensors and (2) 5 meter cables.

**MAGNETIC SENSORS \* (Round track mounted)**

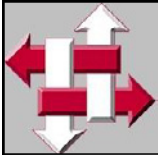
RS-N - Magnetic Sensor NPN w/ quick disconnect  
RS-P - Magnetic Sensor PNP w/ quick disconnect

\* Requires sensor ready (-RM). Includes (1) sensor.

**SENSOR CABLE**

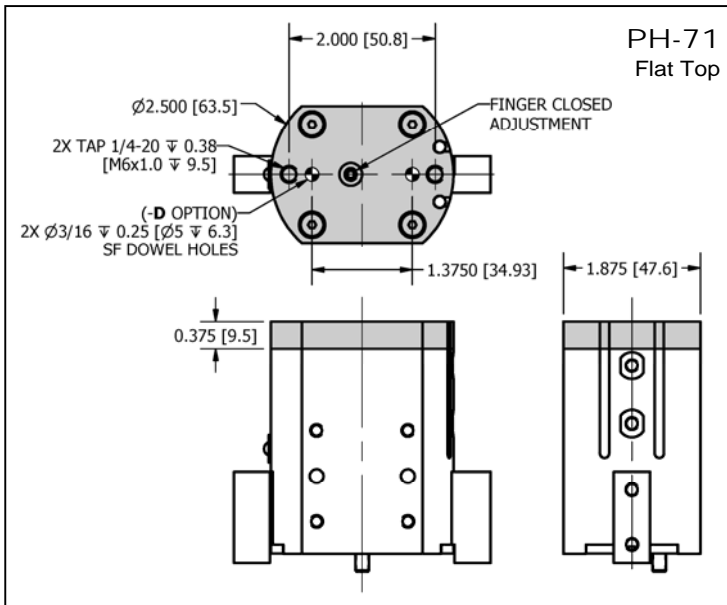
SENCAB-5 - Quick Disconnect PUR Cable 5M Length

**CUSTOM DESIGNS ALWAYS AVAILABLE  
PLEASE CONTACT US FOR INFORMATION**

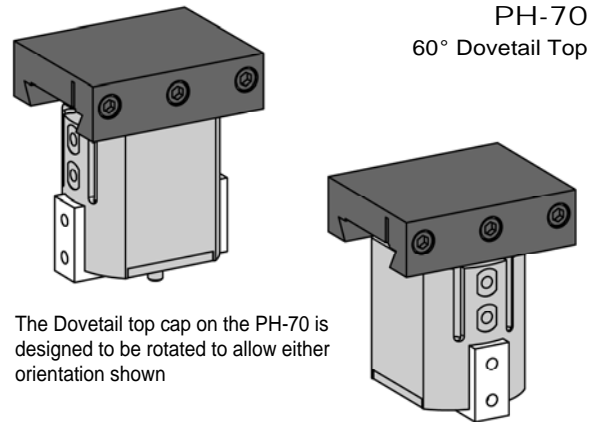


**ADDITIONAL MOUNTING INFORMATION**

The **DURA-GRIP PH-70** series offers an additional flat top for further flexibility to meet your design requirements.



For further flexibility with the Dovetail, mount the PH-70 with custom dovetail tooling or use the DP-21 Universal receiver.



The Dovetail top cap on the PH-70 is designed to be rotated to allow either orientation shown

See **DURA-GRIP ACCESSORIES** Page for the **DP-21** Universal Dovetail receiver Page 1-3.1

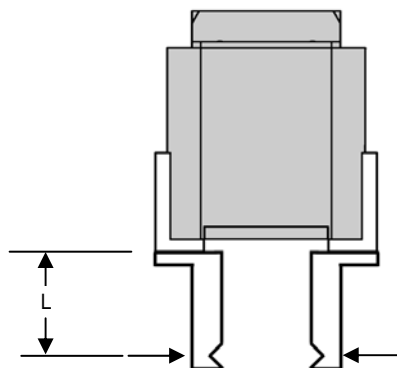
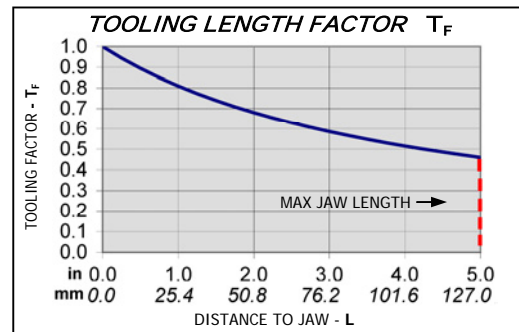
**ADDITIONAL INFORMATION**

**GRIP FORCE**

The maximum capacity of the gripper is a function of many variables and will change based on the shape of the part, surface finish, accelerations during transfer, the shape of the finger tooling, and air pressures. Use the Grip force calculated below *and* the application variables to determine the proper sizing of the gripper.

The Grip force - **F** is defined as the maximum force that can be applied to the fingers without moving. The force is analytically determined and will vary slightly with friction.

<i>GRIP FACTOR</i> $G_F$		PH-70	MPH-70
Standard Unit	EXTERNAL	<b>0.498</b>	<b>32.06</b>
	INTERNAL	<b>0.664</b>	<b>42.76</b>



**GRIP FORCE**

*English* **GRIP FORCE - F (lbf) = P<sub>AIR</sub> (psi) x G<sub>F</sub> x T<sub>F</sub>**

*Metric* **GRIP FORCE - F (N) = P<sub>AIR</sub> (bar) x G<sub>F</sub> x T<sub>F</sub>**

- P<sub>AIR</sub>** = Air Pressure
- G<sub>F</sub>** = Grip Factor (see chart)
- T<sub>F</sub>** = Tooling Factor (see graph)



It is recommended that finger tooling be designed to encompass the part as the grip force requirement is lower. If the grip cannot be performed by encompassing the part and a friction grip must be performed, always use a factor of safety of at least 4.

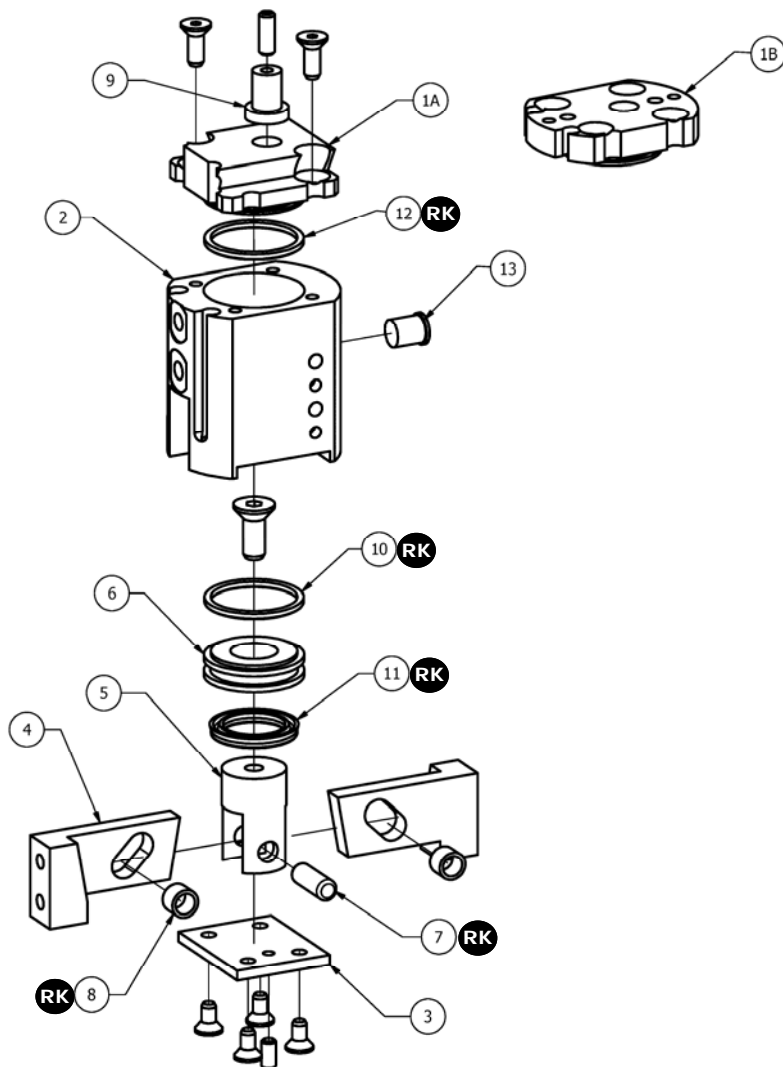


**R&I**  
MANUFACTURING CO.

**DURA-GRIP**  
PARALLEL GRIPPER

**PH-SERIES**

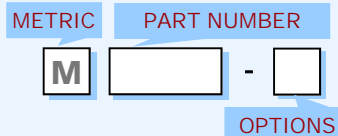
EXPLODED VIEW



**PARTS LIST**

**HOW TO ORDER PARTS**

ITEM	REQ'D	NAME	PH-40	PH-50	PH-60	PH-70	OPTIONS
1A	1	Dovetail Top Cap	PH-40-1	PH-50-1		PH-70-1	-RM <sup>4</sup>
1B	1	Flat Top Cap	PH-41-1	PH-51-1		PH-71-1	-D <sup>3</sup> -RM <sup>4</sup>
2	1	Main Body	PH-40-2	PH-50-2	PH-60-2	PH-70-2	-SFR <sup>2</sup> -SFL <sup>2</sup> -D <sup>3</sup> -RM <sup>4</sup>
3	1	Bottom Cap	PH-40-3	PH-50-3		PH-70-3	
4	2	Finger	PH-40-4	PH-50-4	PH-60-4	PH-70-4	-SFR <sup>2</sup> -SFL <sup>2</sup>
5	1	Piston Shank	PH-40-5	PH-50-5	PH-60-6	PH-70-5	
6	1	Piston	PH-40-6	PH-50-6		PH-70-6	-RM <sup>4</sup>
7	1	Pin *	PH-40-7	PH-50-7			
8	2	Roller *	PH-40-8	PH-50-8			
9	1	Stop Bushing	PH-[40/41] <sup>5</sup> -9	PH-[50/51] <sup>5</sup> -9		PH-[70/71] <sup>5</sup> -9	
10	1	Piston Seal *	ORG-018	ORG-212		ORG-218	-V <sup>1</sup>
11	1	Piston Shank Seal *	UCP-145	ORG-016			-V <sup>1</sup>
12	1	Top Cap Seal *	ORG-018	ORG-022		ORG-028	
13	1	Oiler *	OIL-250	OIL-312			
RK	1	Repair Kit* #	PH-40-RK	PH-50-RK		PH-70-RK	-V <sup>1</sup>



**SAMPLE ORDER: PH-40-4**

Ex) PH-40 Finger

OPTIONS (see product pages for information)

- 1 - V = Viton
- 2 - SFR / SFL = Stationary Finger Right or Left
- 3 - D = Dowel Holes
- 4 - RM = Magnetic Sensor Ready
- 5 - TOP CAP STYLE

**NOTES**

- \* - Metric code not required
- # - Repair Kits include req'd qty of parts marked with RK

FOR MORE INFORMATION CALL US AT **1-800-588-0174** OR **860-589-6364** FAX: **860-589-6235**

VISIT US AT **www.RIMFG.com**



### LP-SERIES - LOW PROFILE



**DURA-GRIP LP** Series of Part Placement Devices is designed to provide a low cost gripping unit for use in applications where the minimum overall height is critical. The LP series provides an exceptional amount of finger stroke when compared to other units of similar height. These air operated units grip parts internally or externally offering the designer a wide latitude in finger tooling arrangements. All units are shipped completely assembled ready for mounting and attaching tooling.

#### QUALITY CONSTRUCTION

**DURA-GRIP LP** Series is ruggedly constructed with a minimum of moving parts. The high strength aluminum body is hard coated, and the fingers are hardened steel for excellent durability. The fingers are fully supported through their entire stroke providing high moment capacity and longer finger lengths.

#### MOUNTING INFORMATION

**DURA-GRIP LP** Series can be mounted and operated in any plane and orientation. Standard mounting holes and precision dowels holes are provided on top and back of unit for easy mounting.

#### ADDITIONAL FEATURES

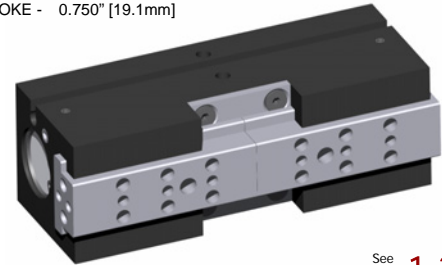
**DURA-GRIP LP** Series is sensor ready for use with magnetic sensors to sense open and closed positions. Many finger options are available including synchronous, non-synchronous operations, and stationary fingers.

Use the LP Series of Parallel Grippers wherever you need low-profile, durable and precise part placement.

#### SPECS

BORE DIA - 0.625" [15.9mm]  
STROKE - 0.750" [19.1mm]

#### LP-75

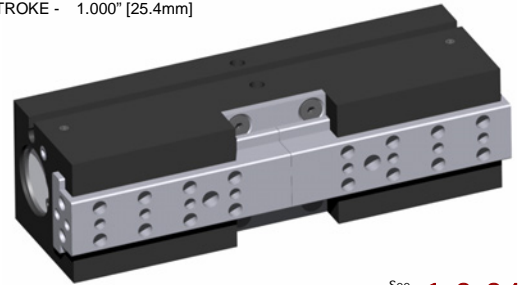


See Page **1-2.22**

#### SPECS

BORE DIA - 0.625" [15.9mm]  
STROKE - 1.000" [25.4mm]

#### LP-100



See Page **1-2.24**

### TECHNICAL SPECIFICATION

#### Pneumatic Specifications

	ENGLISH	METRIC
Pressure Range	40-100 psi	3-7 bar
Cylinder Type	2 Double Acting	
Dynamic Seals	Buna-N	
Required Valves	4-way, 2 position	

#### Temperature Range

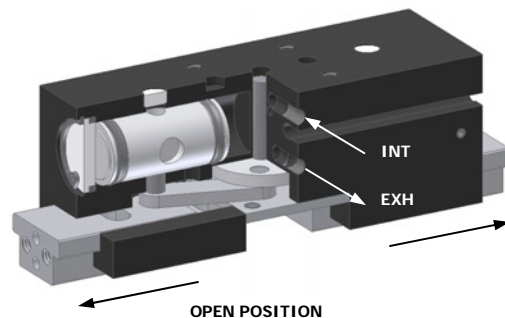
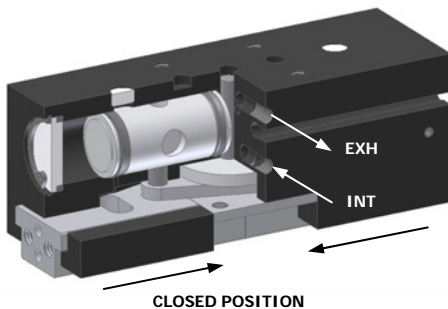
Buna-N Seals (standard)	-30 to 180 F	-35 to 80 C
Viton Seals (-V option)	-20 to 300 F	-30 to 150 C

### OPERATING PRINCIPLES

- Air pressure drives two double acting pistons which are directly connected to gripper fingers.
- Fingers are internally linked to provide synchronized motion.
- Precision t-slot guides fingers accurately and provides support through entire stroke
- Gripper is capable of external and internal gripping

#### OPTIONAL OPERATIONS

- *SYNCHRONOUS & NON-SYNCHRONOUS*
- *STATIONARY FINGERS*





**PRODUCT FEATURES**

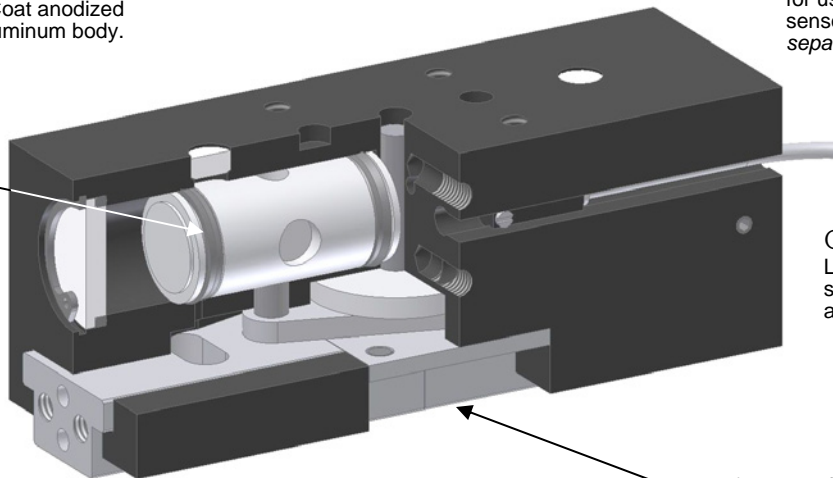
- Aircraft Grade Aluminum  
Hard Coat Anodize
- Simple and Highly Durable  
Time tested, field approved design
- Low Profile  
Longer stroke with minimum height

**Rugged Design**  
Extremely durable for high cycle life. Oversized components, hardened steel fingers, and Hard Coat anodized aluminum body.

**Fully Rebuildable**  
Fully field serviceable with factory repair kits

**Sensors Ready**  
Standard piston magnets for use with our RS style sensors. *Sensors sold separately*

**U-cup Seals**  
High cycle life. Buna-N standard with optional Viton (-V Option)



**Compact Design**  
Low profile and long stroke for height limited applications

**Engineered Surface Coating**  
Anti-Friction and Anti-Wear on fingers

**Multiple Finger Options**  
Standard synchronized motion with optional non-synchronous operation, and stationary fingers

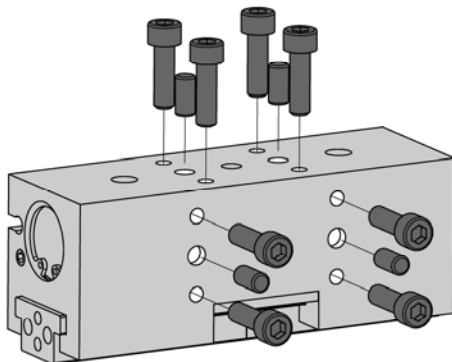
**Precision Mounting Features**  
Dowels holes located on body and fingers for precision location of unit and tooling

**DESIGNED - MANUFACTURED - ASSEMBLED IN THE USA**

**MOUNTING INFORMATION**

**Mounts and operates in any orientation**

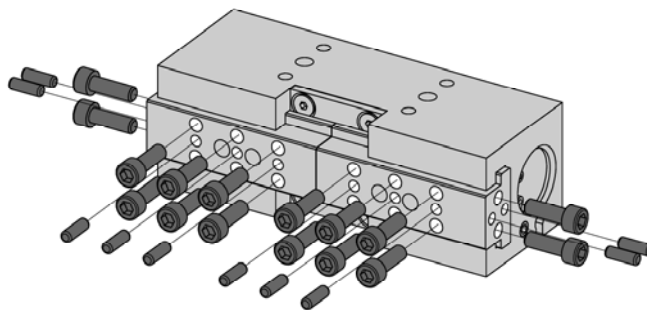
**MAIN BODY**



Mount up to Main body with Tapped holes located on back, and top of unit.

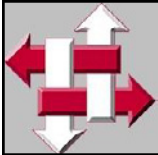
Use standard precision Dowel holes on the top and back side of the unit for positive location.

**TOOLING**



Mount tooling to fingers using Tapped holes located on the bottom and sides of fingers

Key tooling to precision ground fingers or utilize dowel holes for positive location.



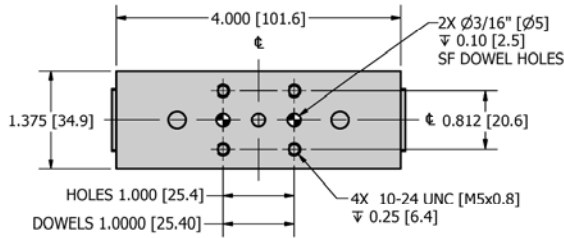
**R&I**  
MANUFACTURING CO.

**DURA-GRIP**  
PARALLEL GRIPPER



**LP-75**

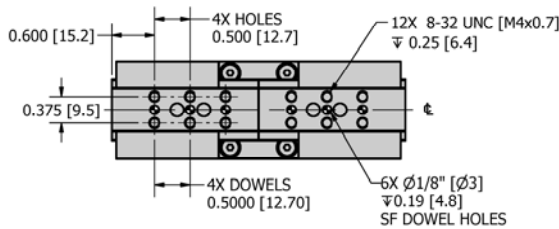
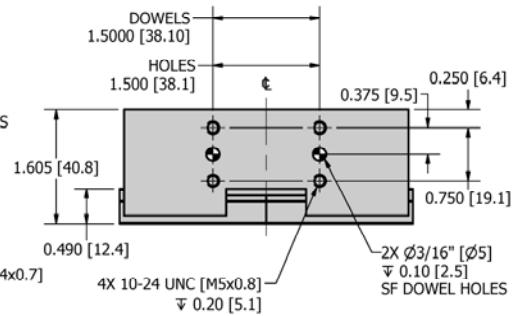
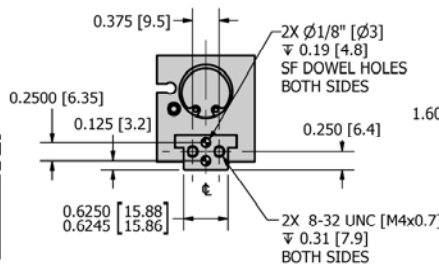
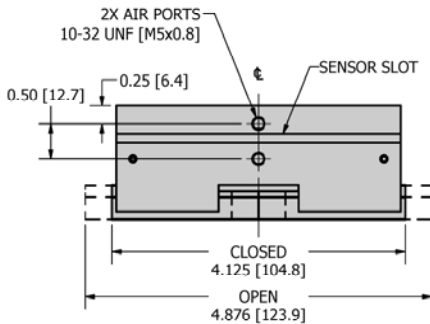
**DIMENSIONAL DRAWING**



**SPECIFICATIONS**

Standard Grip Force @ 100 psi [7 bar] *	LP-75 25 lbf	MLP-75 111 N
Standard Stroke	0.75 in	19.1 mm
Base Weight	0.9 lbs	0.41 kg
Unit Displacement (grip and release)	0.46 in <sup>3</sup>	7.5 cm <sup>3</sup>
Cylinder Bore Diameter	0.625 in	15.9 mm
Actuation Time (no load)	0.20 sec	

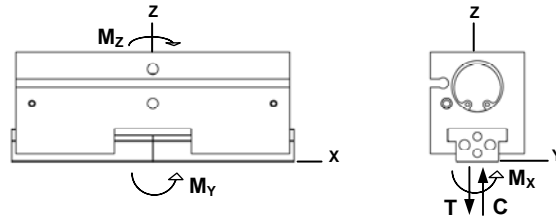
\* Loading between lower jaw surface - zero tooling length



**LOADING**

	LP-75		MLP-75	
	Static	Dynamic	Static	Dynamic
Max Tension <b>T</b>	225 lbf	30 lbf	1000 N	133 N
Max Compression <b>C</b>	450 lbf	30 lbf	2000 N	133 N
Max Moment <b>M<sub>x,y,z</sub></b>	215 lbf-in	35 lbf-in	24 N-m	4 N-m

NOTE: Loading based on utilization of both fingers



**HOW TO ORDER : BASIC UNIT**

**ACCESSORIES (order separately)**

METRIC

FINGER OPTIONS



SEALS

METRIC M

FINGER OPTIONS SFR - Stationary Right Finger  
SFL - Stationary Left Finger  
NS - Non-synchronous finger motion

SEALS V - Viton (standard Buna - N)

**SAMPLE ORDER: LP-75-NS**

Ex) LP-75 With Non-synchronous finger motion

**MAGNETIC SENSOR KITS \* (Round track mounted)**

RSK-N - Magnetic Sensor NPN w/ quick disconnect Kit  
RSK-P - Magnetic Sensor PNP w/ quick disconnect Kit

\* Sensor kits include (2) sensors and (2) 5 meter cables.

**MAGNETIC SENSORS \* (Round track mounted)**

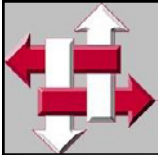
RS-N - Magnetic Sensor NPN w/ quick disconnect  
RS-P - Magnetic Sensor PNP w/ quick disconnect

\* Includes (1) sensor.

**SENSOR CABLE**

SENCAB-5 - Quick Disconnect PUR Cable 5M Length

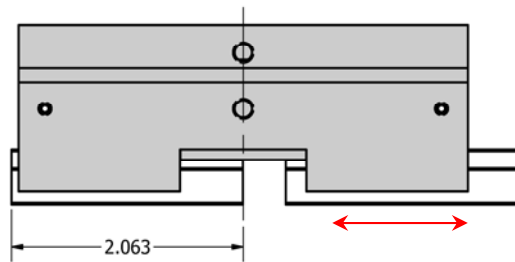
**CUSTOM DESIGNS ALWAYS AVAILABLE  
PLEASE CONTACT US FOR INFORMATION**



**OPTIONS INFORMATION**

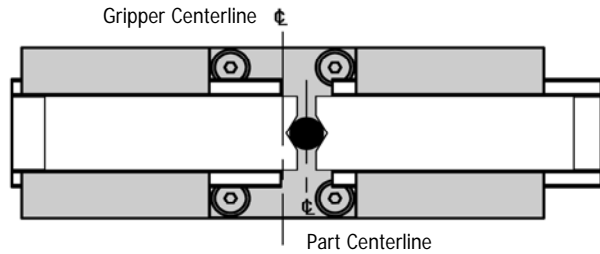
**STATIONARY FINGER (-SFL / -SFR)**

The LP series can be ordered with a stationary left finger (-SFL) or a stationary right finger (-SFR) for use when gripping parts that need to be referenced to a specific edge or surface. The stationary jaw will reference the edge or surface and the moving jaw can compensate for any change in material size. (-SFL Shown)



**NON-SYNCHRONOUS OPERATION (-NS)**

The LP series can be ordered with Non-Synchronous finger motion to permit the gripping of parts off centerline of the unit. Use this option whenever there is a miss-match between part centerline and gripper centerline

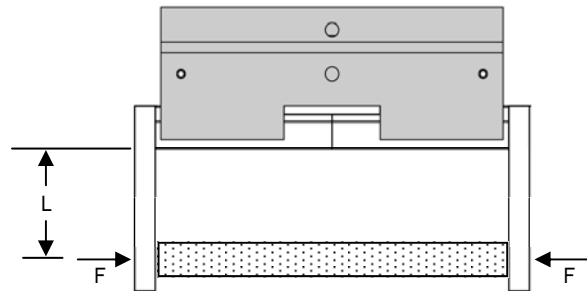


**ADDITIONAL INFORMATION**

**GRIP FORCE**

The maximum capacity of the gripper is a function of many variables and will change based on the shape of the part, surface finish, accelerations during transfer, the shape of the finger tooling, and air pressures. Use the Grip force calculated below and the application variables to determine the proper sizing of the gripper.

The Grip force - **F** is defined as the maximum force that can be applied to the fingers without moving. The force is analytically determined and will vary slightly with friction.

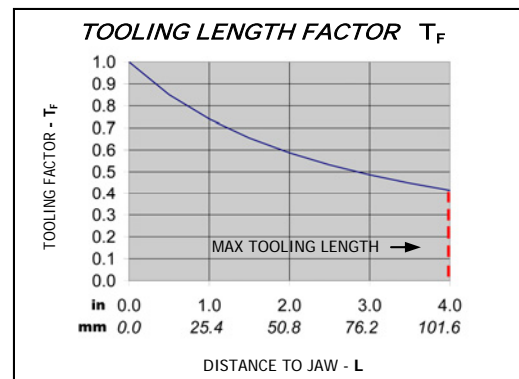


GRIP FACTOR $G_F$		LP-75	MLP-75
Standard Unit	EXTERNAL	0.254	16.38
	INTERNAL	0.254	16.38

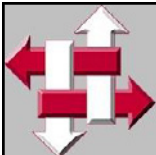
English **GRIP FORCE - F (lbf) =  $P_{AIR}$  (psi) x  $G_F$  x  $T_F$**

Metric **GRIP FORCE - F (N) =  $P_{AIR}$  (bar) x  $G_F$  x  $T_F$**

$P_{AIR}$  = Air Pressure  
 $G_F$  = Grip Factor (see chart)  
 $T_F$  = Tooling Factor (see graph)



It is recommended that finger tooling be designed to encompass the part as the grip force requirement is lower. If the grip cannot be performed by encompassing the part and a friction grip must be performed, always use a factor of safety of at least 4.



**R&I**  
MANUFACTURING CO.

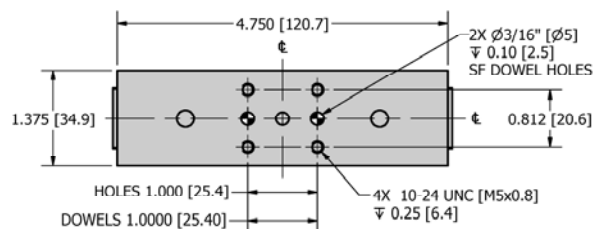
**DURA-GRIP**  
PARALLEL GRIPPER



**LP-100**



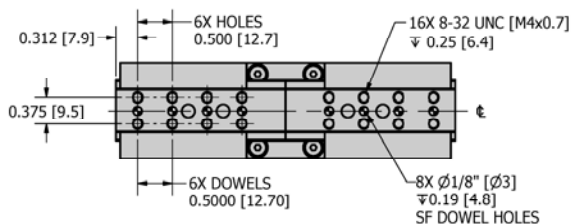
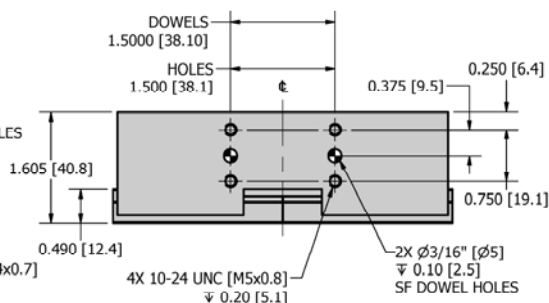
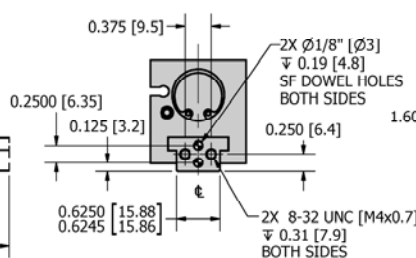
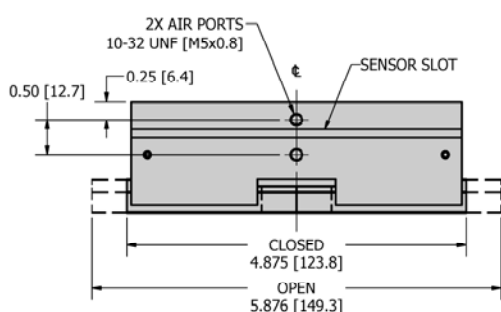
**DIMENSIONAL DRAWING**



**SPECIFICATIONS**

	LP-100	MLP-100
Standard Grip Force @ 100 psi [7 bar] *	25 lbf	111 N
Standard Stroke	1.00 in	25.4 mm
Base Weight	1.1 lbs	0.5 kg
Unit Displacement (grip and release)	0.62 in <sup>3</sup>	10.1 cm <sup>3</sup>
Cylinder Bore Diameter	0.625 in	15.9 mm
Actuation Time (no load)	0.25 sec	

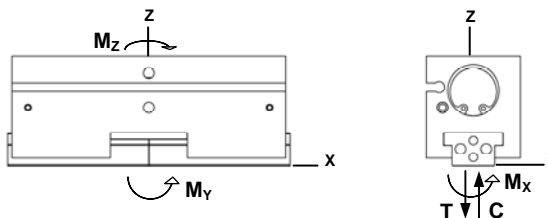
\* Loading between lower jaw surface - zero tooling length



**LOADING**

	LP-100		MLP-100	
	Static	Dynamic	Static	Dynamic
Max Tension <b>T</b>	250 lbf	35 lbf	1111 N	156 N
Max Compression <b>C</b>	475 lbf	35 lbf	2111 N	156 N
Max Moment <b>M<sub>x,y,z</sub></b>	235 lbf-in	40 lbf-in	27 N-m	4.5 N-m

NOTE: Loading based on utilization of both fingers



**HOW TO ORDER : BASIC UNIT**

**ACCESSORIES (order separately)**

METRIC

FINGER OPTIONS



SEALS

METRIC M

FINGER OPTIONS SFR - Stationary Right Finger  
SFL - Stationary Left Finger  
NS - Non-synchronous finger motion

SEALS V - Viton (standard Buna - N)

**SAMPLE ORDER: MLP-100-V**

Ex) Metric LP-100 With Viton Seals

**MAGNETIC SENSOR KITS \* (Round track mounted)**

RSK-N - Magnetic Sensor NPN w/ quick disconnect Kit  
RSK-P - Magnetic Sensor PNP w/ quick disconnect Kit

\* Sensor kits include (2) sensors and (2) 5 meter cables.

**MAGNETIC SENSORS \* (Round track mounted)**

RS-N - Magnetic Sensor NPN w/ quick disconnect  
RS-P - Magnetic Sensor PNP w/ quick disconnect

\* Includes (1) sensor.

**SENSOR CABLE**

SENCAB-5 - Quick Disconnect PUR Cable 5M Length

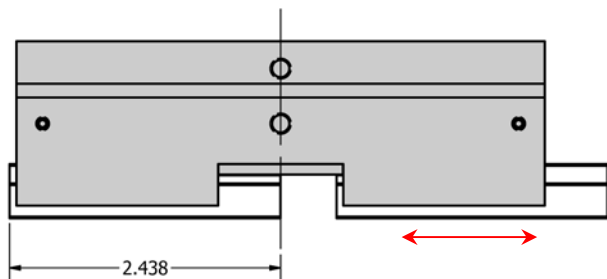
**CUSTOM DESIGNS ALWAYS AVAILABLE  
PLEASE CONTACT US FOR INFORMATION**



**OPTIONS INFORMATION**

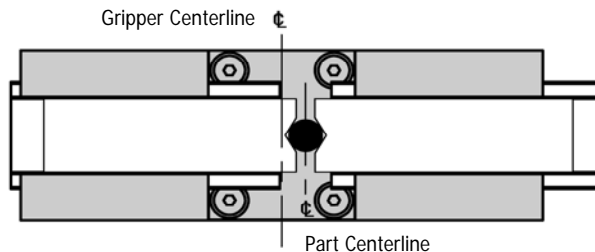
**STATIONARY FINGER (-SFL / -SFR)**

The LP series can be ordered with a stationary left finger (-SFL) or a stationary right finger (-SFR) for use when gripping parts that need to be referenced to a specific edge or surface. The stationary jaw will reference the edge or surface and the moving jaw can compensate for any change in material size. (-SFL Shown)



**NON-SYNCHRONOUS OPERATION (-NS)**

The LP series can be ordered with Non-Synchronous finger motion to permit the gripping of parts off centerline of the unit. Use this option whenever there is a miss-match between part centerline and gripper centerline

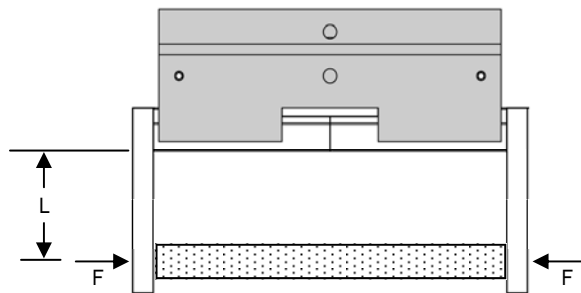


**ADDITIONAL INFORMATION**

**GRIP FORCE**

The maximum capacity of the gripper is a function of many variables and will change based on the shape of the part, surface finish, accelerations during transfer, the shape of the finger tooling, and air pressures. Use the Grip force calculated below and the application variables to determine the proper sizing of the gripper.

The Grip force - **F** is defined as the maximum force that can be applied to the fingers without moving. The force is analytically determined and will vary slightly with friction.

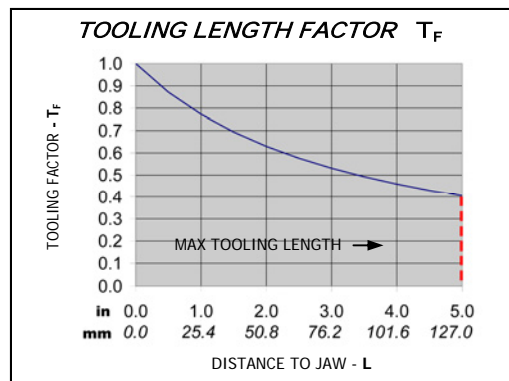


GRIP FACTOR $G_F$		LP-100	MLP-100
Standard Unit	EXTERNAL	<b>0.263</b>	<b>16.94</b>
	INTERNAL	<b>0.263</b>	<b>16.94</b>

English **GRIP FORCE - F (lbf) =  $P_{AIR}$  (psi) x  $G_F$  x  $T_F$**

Metric **GRIP FORCE - F (N) =  $P_{AIR}$  (bar) x  $G_F$  x  $T_F$**

$P_{AIR}$  = Air Pressure  
 $G_F$  = Grip Factor (see chart)  
 $T_F$  = Tooling Factor (see graph)



It is recommended that finger tooling be designed to encompass the part as the grip force requirement is lower. If the grip cannot be performed by encompassing the part and a friction grip must be performed, always use a factor of safety of at least 4.

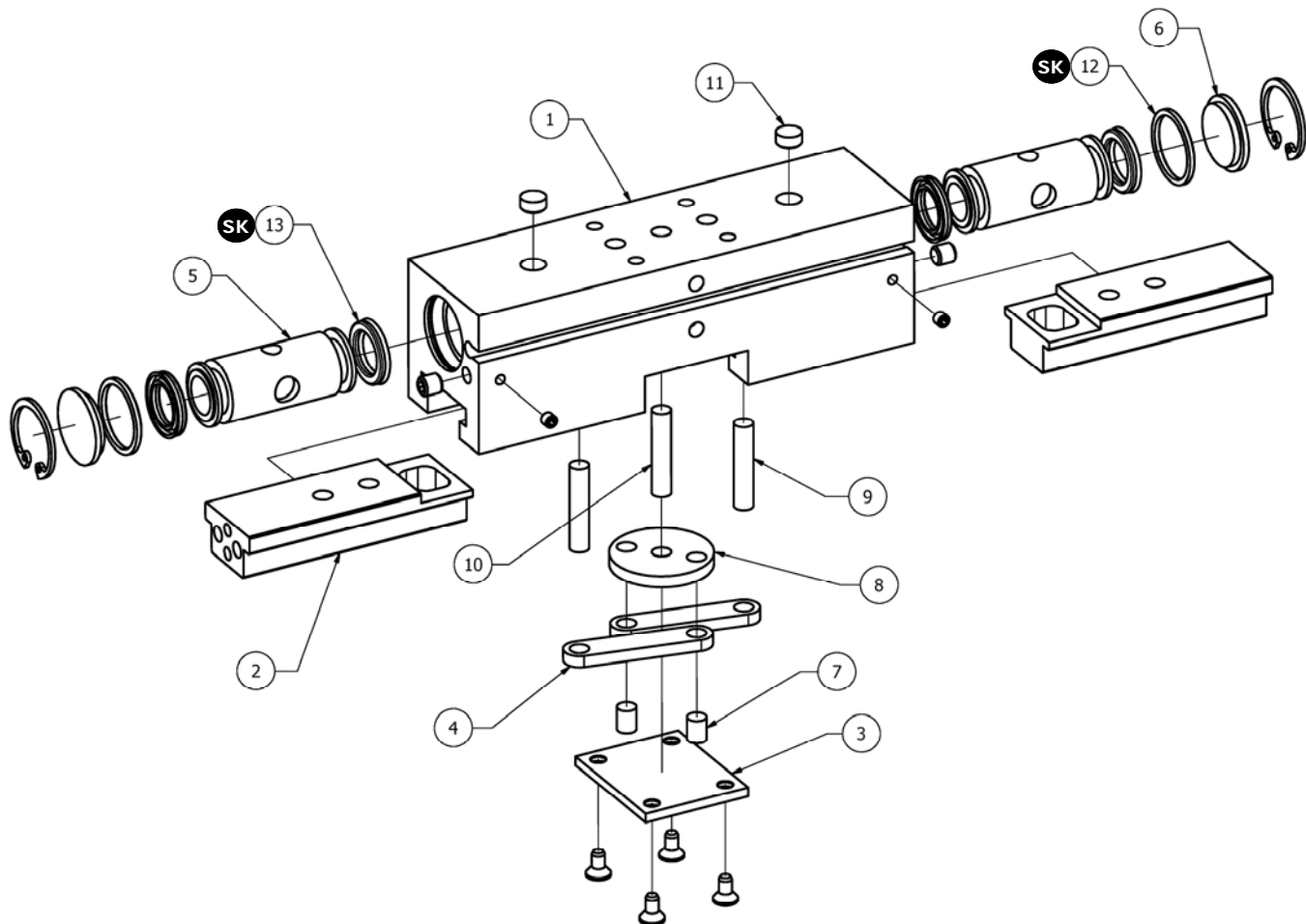


**R&I**  
MANUFACTURING CO.

**DURA-GRIP**  
PARALLEL GRIPPER

**LP-SERIES**

EXPLODED VIEW



**PARTS LIST**

**HOW TO ORDER PARTS**

ITEM	REQ'D	NAME	LP-75	LP-100	OPTIONS
1	1	Body	LP-75-1	LP-100-1	
2	2	Finger	LP-75-2	LP-100-2	
3	1	Bottom Cover		LP-100-3	
4	2	Connecting Rod *	LP-75-4	LP-100-4	
5	2	Piston *	LP-75-5	LP-100-5	-SFR <sup>2</sup> -SFL <sup>2</sup>
6	2	Cylinder Cap *		LP-100-6	
7	2	Link Pin *		LP-100-7	
8	1	Link *		LP-100-8	
9	2	Finger Pin *		LP-100-9	-SFR <sup>2</sup> -SFL <sup>2</sup>
10	1	Pivot Pin *		LP-100-10	
11	2	Plug *		LP-100-11	
12	2	Cylinder Cap Seal *		ORG-016	-V <sup>1</sup>
13	4	Piston Seal *		UCP-130	-V <sup>1</sup>
SK	1	Seal Kit * #		LP-SK	-V <sup>1</sup>

Consult Factory if option or part is not listed

METRIC PART NUMBER



OPTIONS

**SAMPLE ORDER: LP-75-2**

Ex) LP-75 Finger

OPTIONS (see product pages for information)

<sup>1</sup> - V = Viton

<sup>2</sup> - SFR / SFL = Stationary Finger Right or Left

**NOTES**

\* - Metric code not required

# - Seal Kits include req'd qty of parts marked with SK



### PH-20 - STACK PACK

**DURA-GRIP PH-20** Part Placement Device is designed to provide a low cost, thin profile, stackable gripping unit for use on transfer mechanisms. The thin profile allows close center distance mounting for multiple head stacking as required in racking/deracking, palletizing/depalletizing or other similar applications. This air operated unit grips parts internally or externally offering the designer a wide latitude in finger tooling arrangements. All units are shipped completely assembled, ready for mounting and attaching tooling.

#### QUALITY CONSTRUCTION

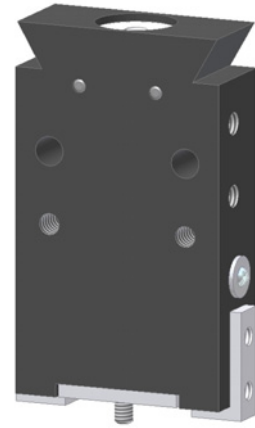
**DURA-GRIP PH-20** is ruggedly constructed with a minimum of moving parts and utilizes the same field proven mechanism found in our other parallel grippers. The body is anodized high strength aluminum, fingers are hardened tool steel. Both finger opening and closing position can be adjusted on the unit. The unit can be mounted in any plane with standard mounting holes or with integral dovetail.

Use the PH-20 Parallel Gripper in some of the following applications or wherever you need durable and precise part placement with a thin profile

- Racking / Deracking operations
- Palletizing / Depalletizing operations
- Small workpiece center to center distance

STACKABLE HEAD

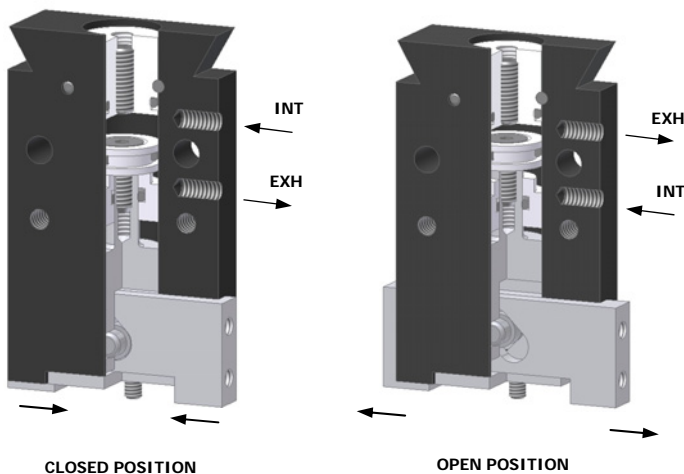
PH-20



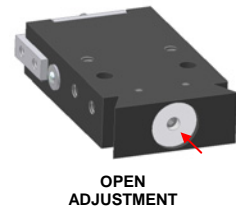
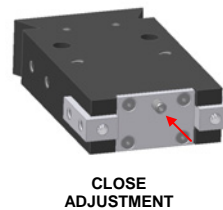
#### TECHNICAL SPECIFICATION

Pneumatic Specifications	ENGLISH	METRIC
Pressure Range	40-100 psi	3-7 bar
Cylinder Type	Double Acting	
Dynamic Seals	Buna-N	
Required Valves	4-way, 2 position	
<b>Temperature Range</b>		
Buna-N Seals (standard)	-30 to 180 F	-35 to 80 C
Viton Seals (-V option)	-20 to 300 F	-30 to 150 C

#### OPERATING PRINCIPLES - STANDARD UNIT



- Air pressure drives double acting piston.
- Piston drives fingers through precision slots producing synchronized parallel motion.
- Gripper is capable of external and internal gripping



Finger closed and open position can be adjusted with set screws located in the bottom and top cap of the unit.



**PRODUCT FEATURES**

- Aircraft Grade Aluminum  
2024 with black anodize
- Simple and Highly Durable  
Time tested, field approved design
- High Grip Force  
High gripping force-to-weight ratio

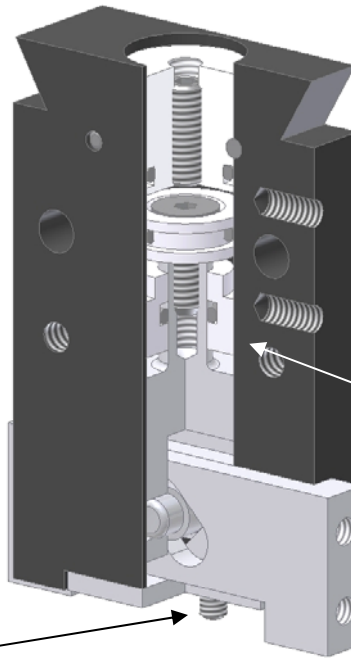
Stackable Design

Extremely Compact Design

Rugged One Piece Body  
Extremely durable for high cycle life

Precision Components  
Precision ground and hardened fingers  
for accurate tooling location

Adjustable Finger Stops  
On both open and closed positions. Provides  
precise and accurate finger stroke control



Fully Rebuildable  
Fully field serviceable with  
factory repair kits

Multiple Mounting Features  
Tapped and Clearance holes for mounting  
the unit and additional stripper tooling.  
Integral Dovetail mounting on body

O-ring Seals  
High cycle life. Buna-N standard with  
optional Viton (-V Option)

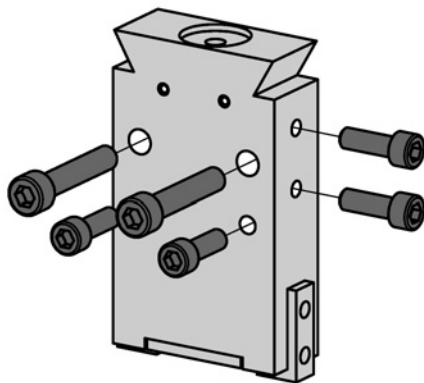
Engineered Surface Coating  
Anti-Friction and Anti-Wear on fingers

**DESIGNED - MANUFACTURED - ASSEMBLED IN THE USA**

**MOUNTING INFORMATION**

**Mounts and operates in any orientation**

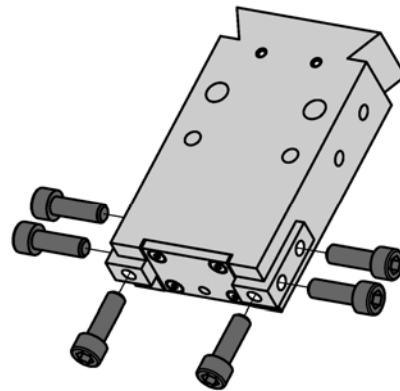
**MAIN BODY**



Mount up to Main body utilizing Tapped holes  
located on back, front, and side of unit. Mount  
thru unit with provided Clearance holes.

Utilizes integrated Dovetail in  
body for precision location  
and mounting

**TOOLING**



Mount tooling to fingers using  
Tapped holes

Key tooling to precision ground  
fingers for positive location.



**R&I**  
MANUFACTURING CO.

**DURA-GRIP**  
PARALLEL GRIPPER

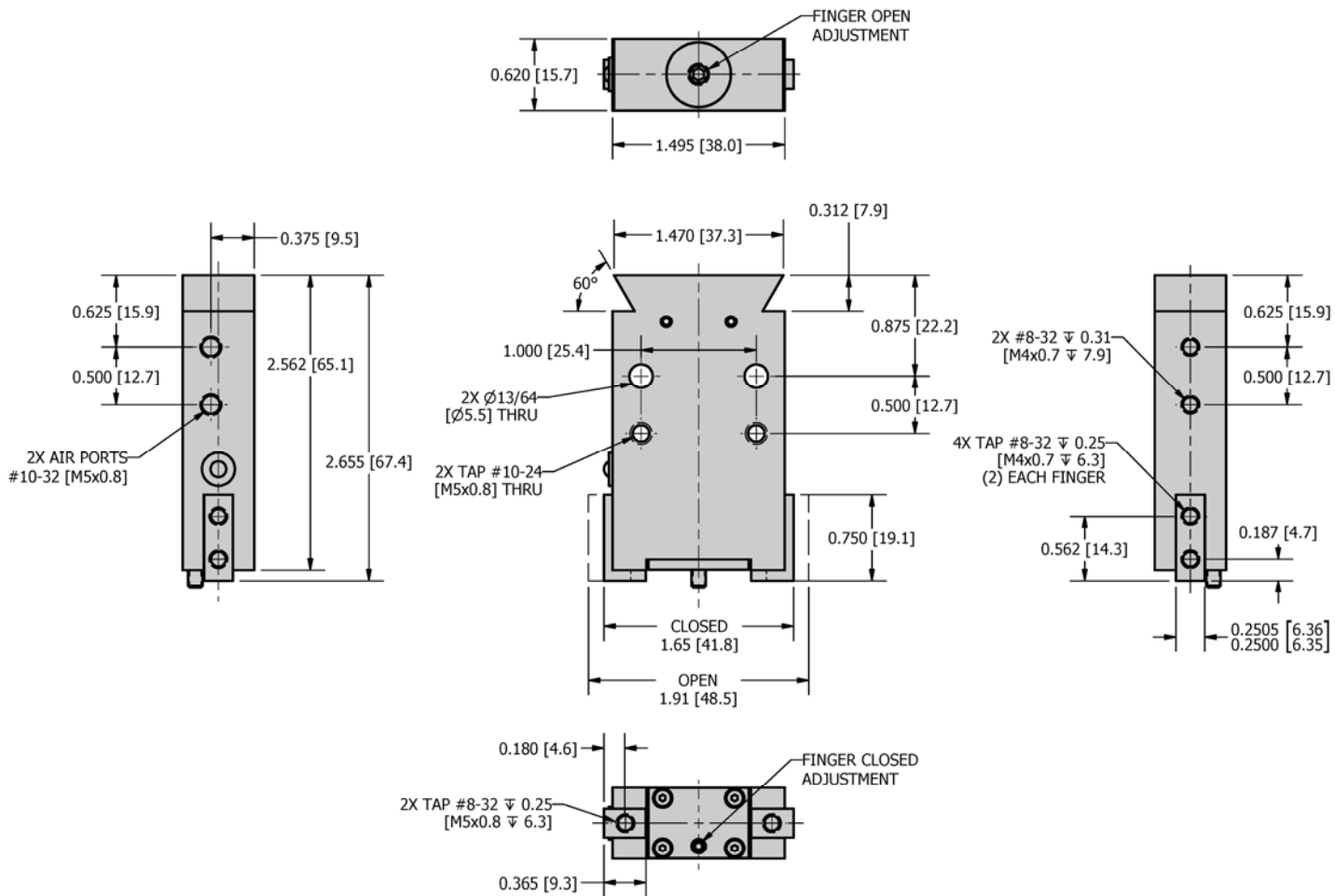
**PH-20**

**DIMENSIONAL DRAWING**

**SPECIFICATIONS**

	PH-20	MPH-20
Standard Grip Force @ 100 psi [7 bar] *	21 lbf	93 N
Standard Stroke	0.26 in	6.6 mm
Base Weight	0.29 lbs	0.13 kg
Unit Displacement (grip and release)	0.06 in <sup>3</sup>	0.95 cm <sup>3</sup>
Cylinder Bore Diameter	0.562 in	14.3 mm
Actuation Time (no load)	0.20 sec	

\* Loading between lower jaw surface - zero tooling length



**HOW TO ORDER : BASIC UNIT**

METRIC TOP CAP STYLE

**M** **PH-20** - **V**  
SEALS

METRIC M

SEALS V - Viton (standard Buna - N)

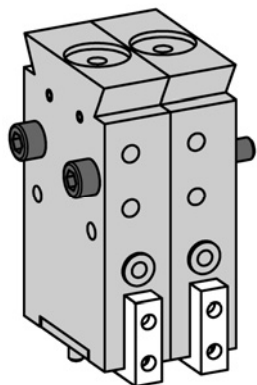
**SAMPLE ORDER: PH-20-V**

Ex) PH-20 with Viton Seals

**CUSTOM DESIGNS ALWAYS AVAILABLE  
PLEASE CONTACT US FOR INFORMATION**

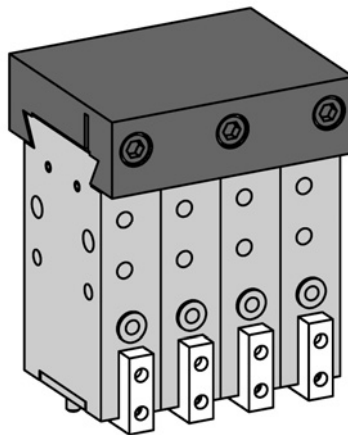


**ADDITIONAL MOUNTING INFORMATION**



**STACKABLE DESIGN**

Use the Clearance holes to stack 2 or more gripping heads together.



Use the DP-21 Universal Dovetail receiver to accurately hold and locate up to 4 PH-20 grippers. The DP-21 can then be modified to suit your application

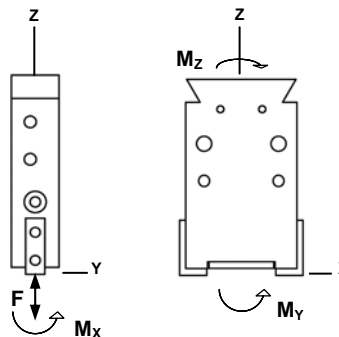
See **DURA-GRIP ACCESSORIES** Page for the **DP-21** Universal Dovetail receiver

Page **1-3.1**

**ADDITIONAL INFORMATION**

LOADING	PH-20		PH-20	
	Static	Dynamic	Static	Dynamic
Max Force <b>F</b>	50 lbf	10 lbf	222.3 N	44.5 N
Max Moment <b>M<sub>x</sub>, M<sub>z</sub>, M<sub>y</sub></b>	50 lbf-in	10 lbf-in	5.6 N-m	1.1 N-m

NOTE: Loading based on utilization of both fingers.



**GRIP FORCE**

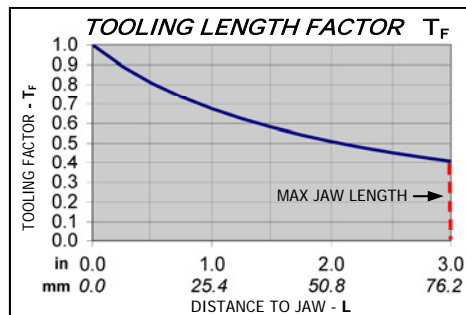
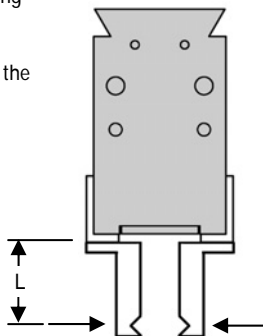
The maximum capacity of the gripper is a function of many variables and will change based on the shape of the part, surface finish, accelerations during transfer, the shape of the finger tooling, and air pressures. Use the Grip force calculated below *and* the application variables to determine the proper sizing of the gripper.

The Grip force - **F** is defined as the maximum force that can be applied to the fingers without moving. The force is analytically determined and will vary slightly with friction.

English **GRIP FORCE - F (lbf) = P<sub>AIR</sub> (psi) x G<sub>F</sub> x T<sub>F</sub>**

Metric **GRIP FORCE - F (N) = P<sub>AIR</sub> (bar) x G<sub>F</sub> x T<sub>F</sub>**

GRIP FACTOR <b>G<sub>F</sub></b>	PH-20	MPH-20
	Standard Unit	EXTERNAL <b>0.214</b> INTERNAL <b>0.125</b>



**GRIP FORCE**

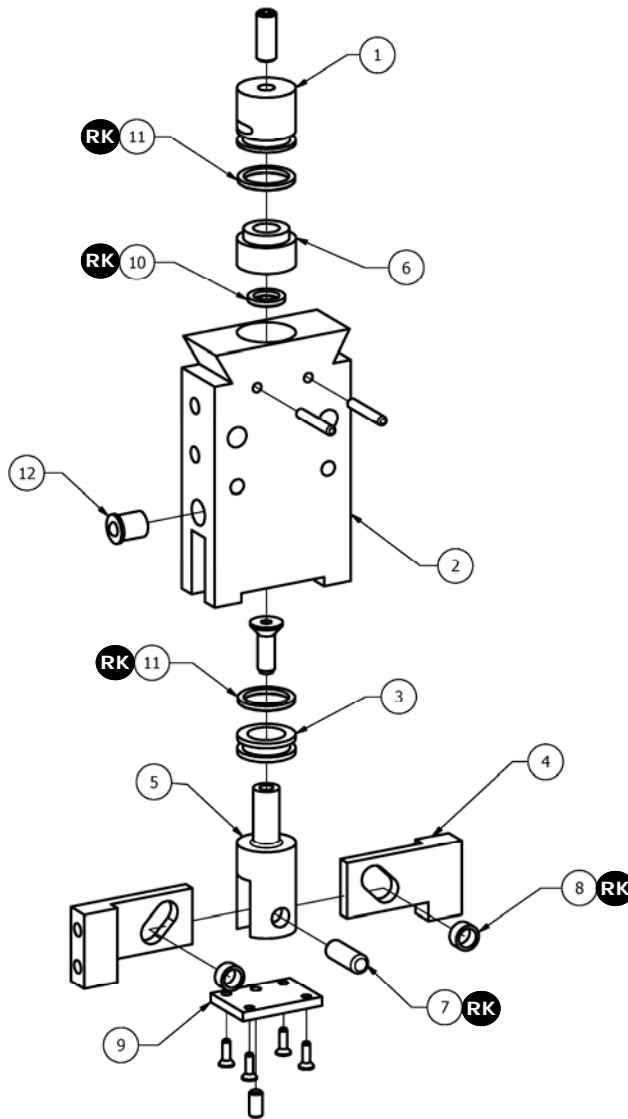
**P<sub>AIR</sub>** = Air Pressure  
**G<sub>F</sub>** = Grip Factor (see chart)  
**T<sub>F</sub>** = Tooling Factor (see graph)



It is recommended that finger tooling be designed to encompass the part as the grip force requirement is lower. If the grip cannot be performed by encompassing the part and a friction grip must be performed, always use a factor of safety of at least 4.



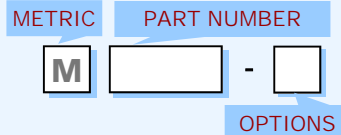
EXPLODED VIEW



PARTS LIST

HOW TO ORDER PARTS

ITEM	REQ'D	NAME	PH-20	OPTIONS
1	1	Top Cap	RB-94-2	
2	1	Main Body	PH-20-2	
3	1	Piston	PH-20-3	
4	2	Finger	PH-20-4	
5	1	Piston Shank	PH-20-5	
6	1	Cylinder Bushing *	PH-20-6	
7	1	Pin *	PH-40-7	
8	2	Roller *	PH-20-8	
9	1	Bottom Cap	PH-20-9	
10	1	Piston Shank Seal *	ORG-010	-V <sup>1</sup>
11	2	Top Cap & Piston Seal *	ORG-013	-V <sup>1</sup>
12	1	Oiler *	OIL-250	
RK	1	Repair Kit * #	PH-20-RK	-V <sup>1</sup>



**SAMPLE ORDER: PH-20-4**

Ex) PH-20 Finger

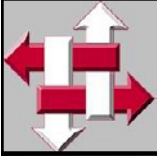
OPTIONS (see product pages for information)

<sup>1</sup> - V = Viton

NOTES

\* - Metric code not required

# - Repair Kits include req'd qty of parts marked with RK



***R&I***  
MANUFACTURING CO.

TECH NOTES

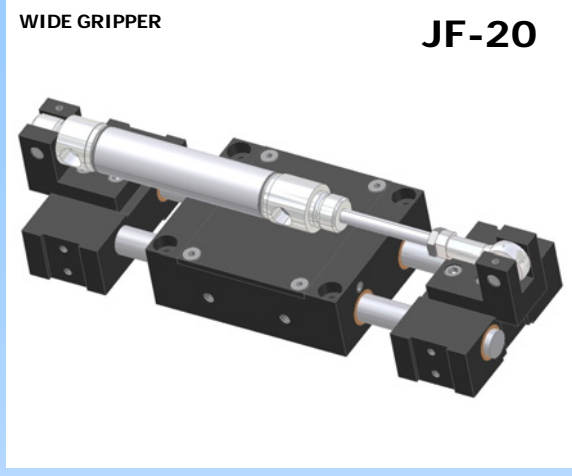


### JF-20 - WIDE BODY

**DURA-GRIP JF-20** Linear Gripping Device is designed to provide a low cost wide body gripper with the capability of handling large parts. The device can be used as part of a transfer mechanism or utilized at an assembly station to hold a work piece in place. Parts can be gripped internally or externally and the end blocks provide the tool engineer with several options for mounting the gripping fingers. The air operated unit is compact with operation controlled through a four-way air valve.

#### QUALITY CONSTRUCTION

**DURA-GRIP JF-20** main block provides the fixed support with mounting holes provided on the top and both sides of the block. The unit can be mounted in any plane. Both end blocks are machined on three sides to accept tooling with each block pinned to one of the ground steel rods. Slide rods are parallel to the mounting surface within .002" per foot. They are mounted on oil impregnated bronze bushings. Bushings are utilized rather than linear ball bearings because bushings distribute the load over a larger surface area resulting in less wear on the slide rods. The unit has been tested under actual operating conditions with up to 160 million inches accumulated travel with negligible wear. Stroke adjustment screws are included for separate adjustment of endblocks in closed and open positions.



Use the JF-20 Parallel Gripper wherever you need durable and precise part placement with large work envelope.

### TECHNICAL SPECIFICATION

#### Pneumatic Specifications

Pressure Range  
Required Valves

#### ENGLISH

40-100 psi  
4-way, 2 position

#### METRIC

3-7 bar

#### Temperature Range

Buna-N Seals (standard)  
Viton Seals (-V option)

-30 to 180 F  
-20 to 300 F

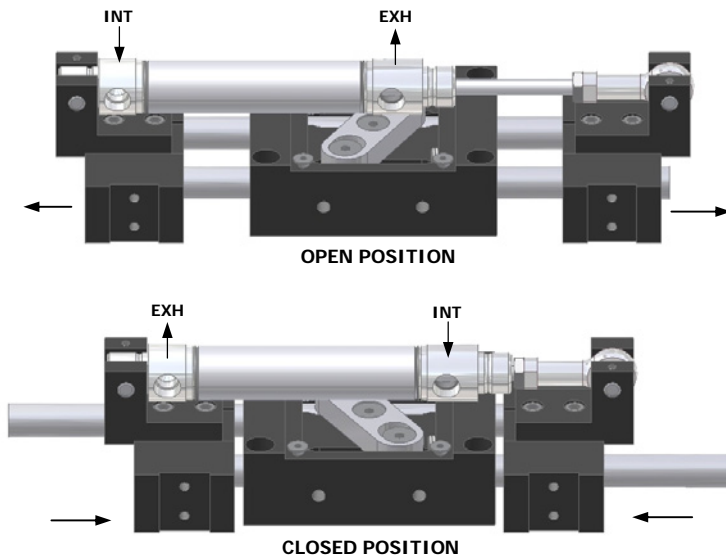
-35 to 80 C  
-30 to 150 C

#### Construction

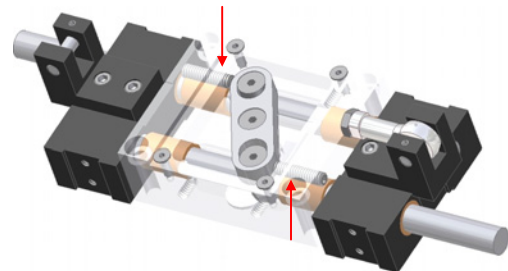
Travel Tolerance  
Cylinder Type  
Dynamic Seals  
Maintenance

+0.005" / - 0.005" [+0.13 / 0.130mm]  
Double Acting  
Buna-N  
Field Repairable

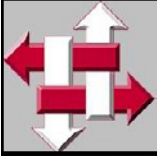
### OPERATING PRINCIPLES



- Air pressure drives a double acting cylinder directly connected to each endblock
- Each endblock is pinned to one rod, the other rod slides through opposing endblock
- Rods are connected via a hardened steel link to produce synchronized endblock motion.

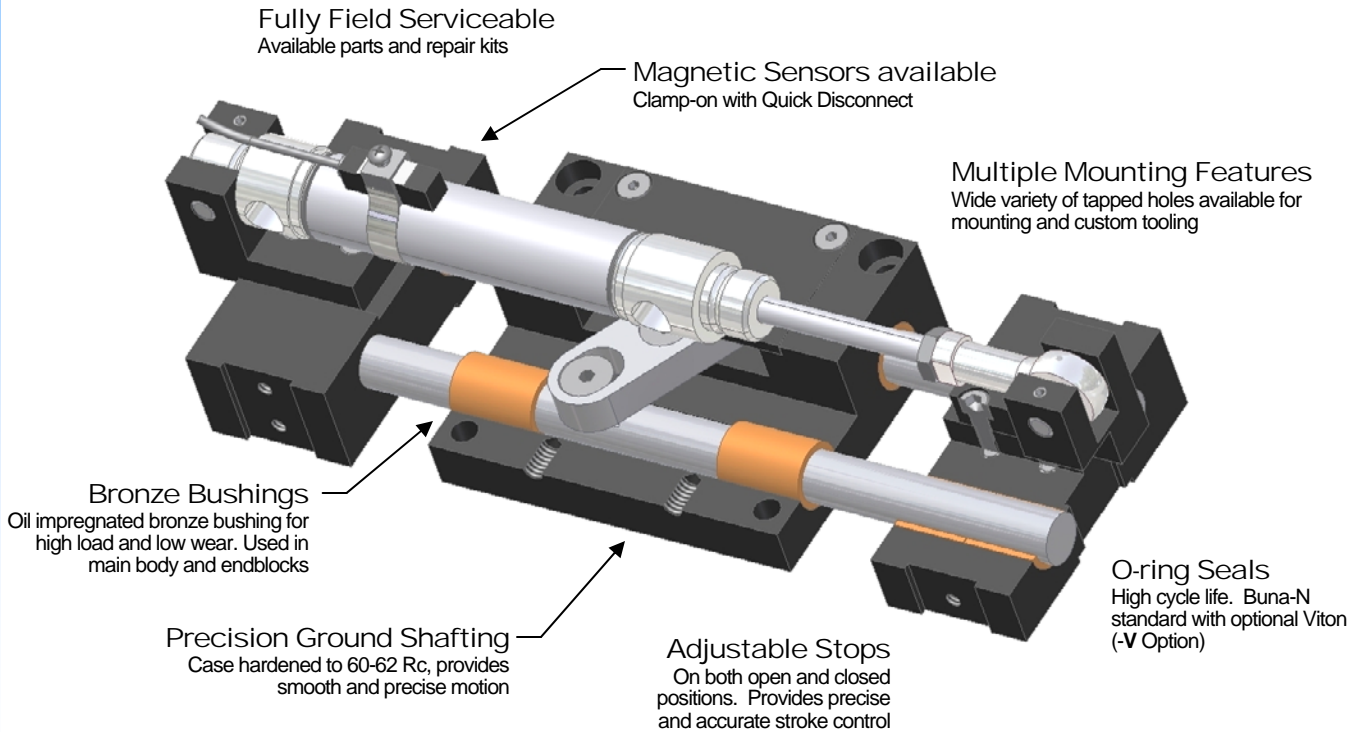


Closed and open position can be adjusted with set screws located in the Main body of the unit. The set screws act directly on the link.



**PRODUCT FEATURES**

- Aircraft Grade Aluminum  
2024 with black anodize
- Simple and Highly Durable  
Time tested, field approved design
- High Grip Force  
High gripping force-to-weight ratio

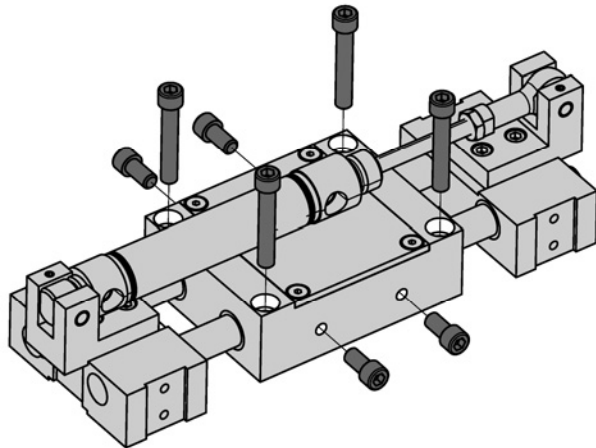


**DESIGNED - MANUFACTURED - ASSEMBLED IN THE USA**

**MOUNTING INFORMATION**

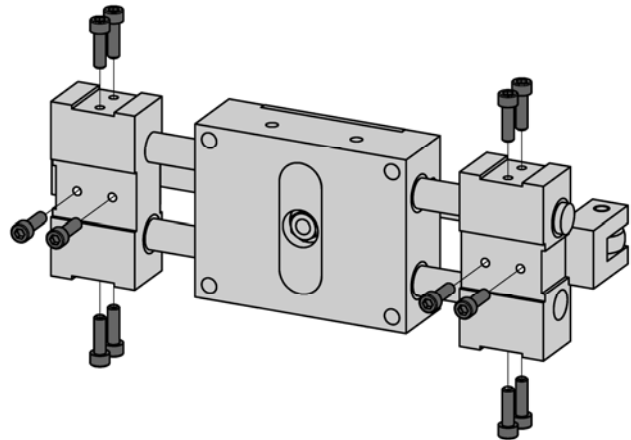
**Mounts and operates in any orientation**

**MAIN BODY**



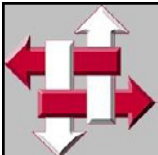
Mount up to Main body utilizing Tapped holes located on both sides of unit. Mount thru unit with provided Clearance holes.

**TOOLING**



Mount tooling to bottom or sides of endblocks utilizing Tapped holes.

Key tooling to slots in endblocks for positive location.



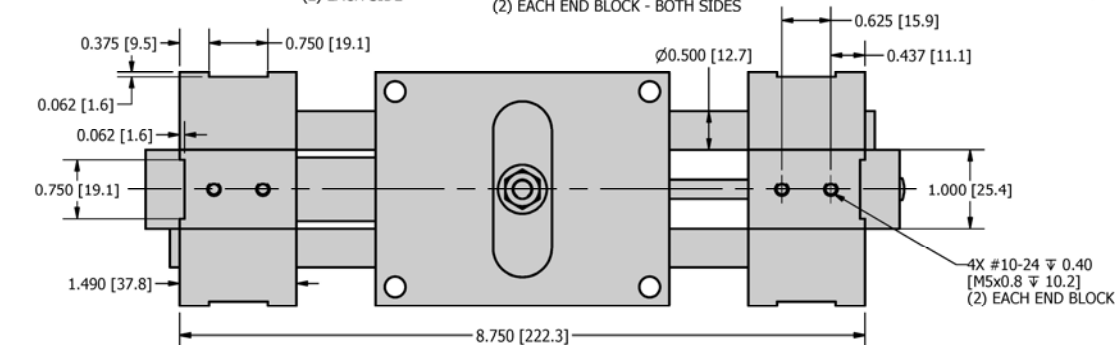
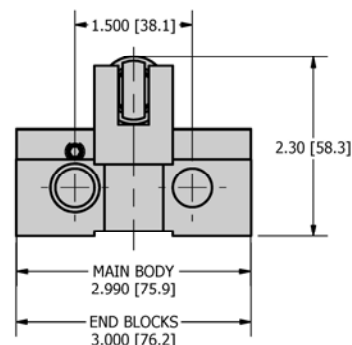
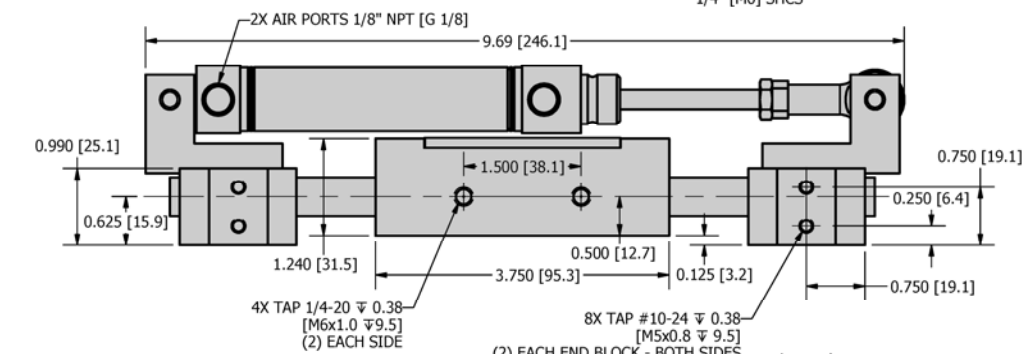
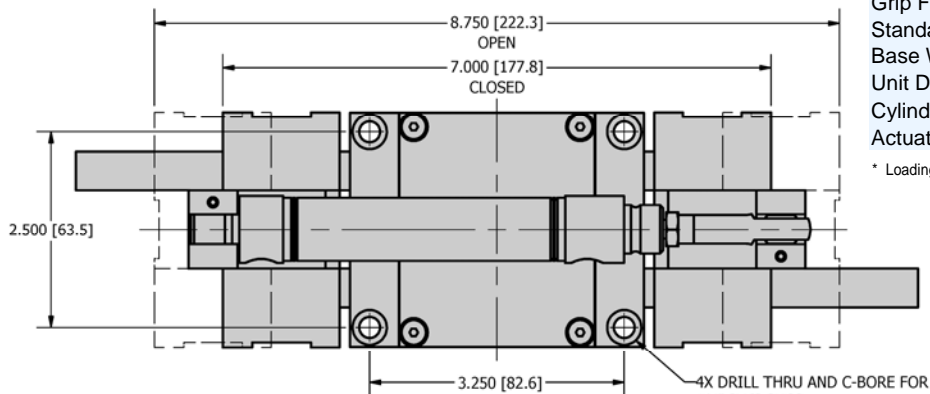
**R&I**  
MANUFACTURING CO.

# DURA-GRIP

WIDE BODY  
PARALLEL GRIPPER

**JF-20**

## DIMENSIONAL DRAWING



### SPECIFICATIONS

	JF-20	MJF-20
Grip Force @ 100 psi [7 bar] *	33 lbf	147 N
Standard Stroke	1.750 in	44.5 mm
Base Weight	3.75 lbs	1.70 kg
Unit Displacement (grip / release)	1.46 in <sup>3</sup>	23.9 cm <sup>3</sup>
Cylinder Bore Diameter	0.750 in	19.05 mm
Actuation Time (no load)	0.40 sec	

\* Loading at bottom jaw surface - external grip

## HOW TO ORDER : BASIC UNIT

## ACCESSORIES (order separately)

METRIC BASE MODEL SENSORS

**M** **JF-20** - **V** - **RM**

SEALS

METRIC M

SEALS V - Viton (standard Buna - N)

SENSORS RM - Magnetic Sensor Ready

Includes Piston Magnet . Sensors sold separately - see Magnetic Sensors

### MAGNETIC SENSOR KITS \* (Cylinder clamp mounted)

CSK-N - Magnetic Sensor NPN w/ quick disconnect Kit

CSK-P - Magnetic Sensor PNP w/ quick disconnect Kit

CSK-R - Magnetic Sensor REED output w/ quick disconnect Kit

\* Requires sensor ready (-RM). Sensor kits include (2) sensors and (2) 5 meter cables.

### MAGNETIC SENSORS \* (Cylinder clamp mounted)

CS-N - Magnetic Sensor NPN w/ quick disconnect

CS-P - Magnetic Sensor PNP w/ quick disconnect

CS-R - Magnetic Sensor REED output w/ quick disconnect

\* Requires sensor ready (-RM). Includes (1) sensor.

### SENSOR CABLE

SENCAB-5 - Quick Disconnect PUR Cable 5M Length

## SAMPLE ORDER: JF-20-V

Ex) JF-20 with Viton Seals

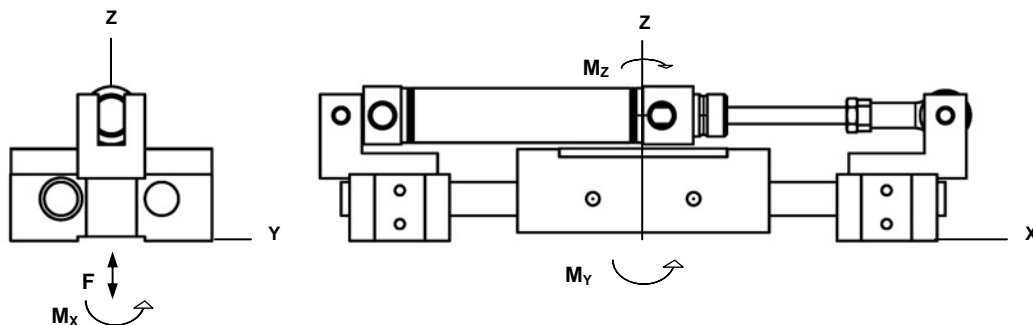
**CUSTOM DESIGNS ALWAYS AVAILABLE**  
**PLEASE CONTACT US FOR INFORMATION**



**ADDITIONAL INFORMATION**

LOADING	JF-20		M JF-20	
	Static	Dynamic	Static	Dynamic
Max Force <b>F</b>	100 lbf	20 lbf	444.5 N	88.9 N
Max Moment <b>M<sub>x</sub>, M<sub>y</sub></b>	125 lbf-in	30 lbf-in	14.1 N-m	3.4 N-m
Max Moment <b>M<sub>z</sub></b>	200 lbf-in	65 lbf-in	22.6 N-m	7.3 N-m

NOTE: Loading based on utilization of both endblocks.

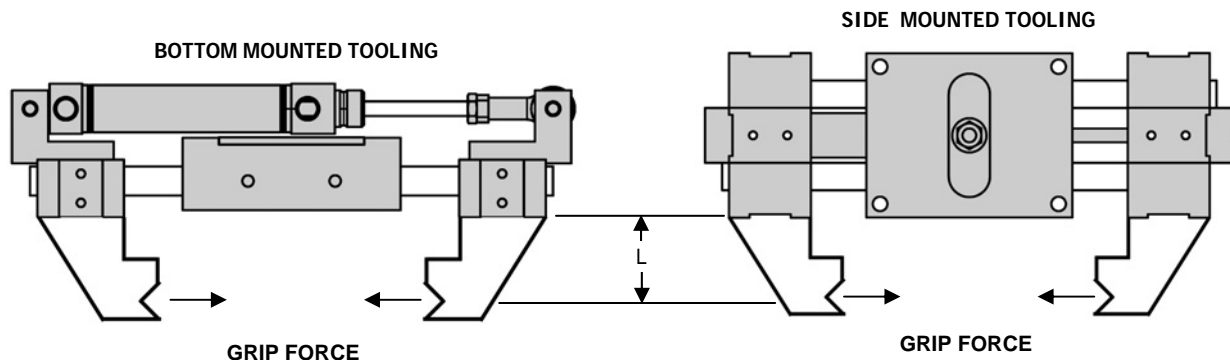
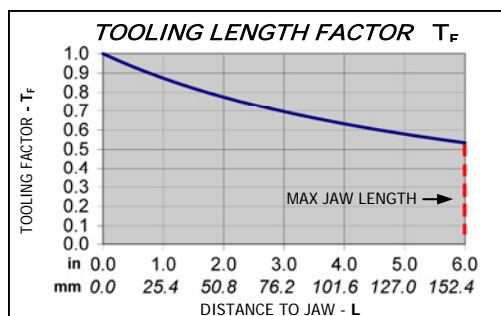


**GRIP FORCE**

The maximum capacity of the gripper is a function of many variables and will change based on the shape of the part, surface finish, accelerations during transfer, the shape of the finger tooling, and air pressures. Use the Grip force calculated below *and* the application variables to determine the proper sizing of the gripper.

The Grip force - **F** is defined as the maximum force that can be applied to the end blocks without moving. The force is analytically determined and will vary slightly with friction.

GRIP FACTOR <b>G<sub>F</sub></b>	JF-20	MJF-20
	Standard Unit	
EXTERNAL	<b>0.333</b>	<b>21.47</b>
INTERNAL	<b>0.374</b>	<b>24.15</b>



English **GRIP FORCE - F (lbf) = P<sub>AIR</sub> (psi) x G<sub>F</sub> x T<sub>F</sub>**

Metric **GRIP FORCE - F (N) = P<sub>AIR</sub> (bar) x G<sub>F</sub> x T<sub>F</sub>**

**P<sub>AIR</sub>** = Air Pressure  
**G<sub>F</sub>** = Grip Factor (see chart)  
**T<sub>F</sub>** = Tooling Factor (see graph)



It is recommended that finger tooling be designed to encompass the part as the grip force requirement is lower. If the grip cannot be performed by encompassing the part and a friction grip must be performed, always use a factor of safety of at least 4.

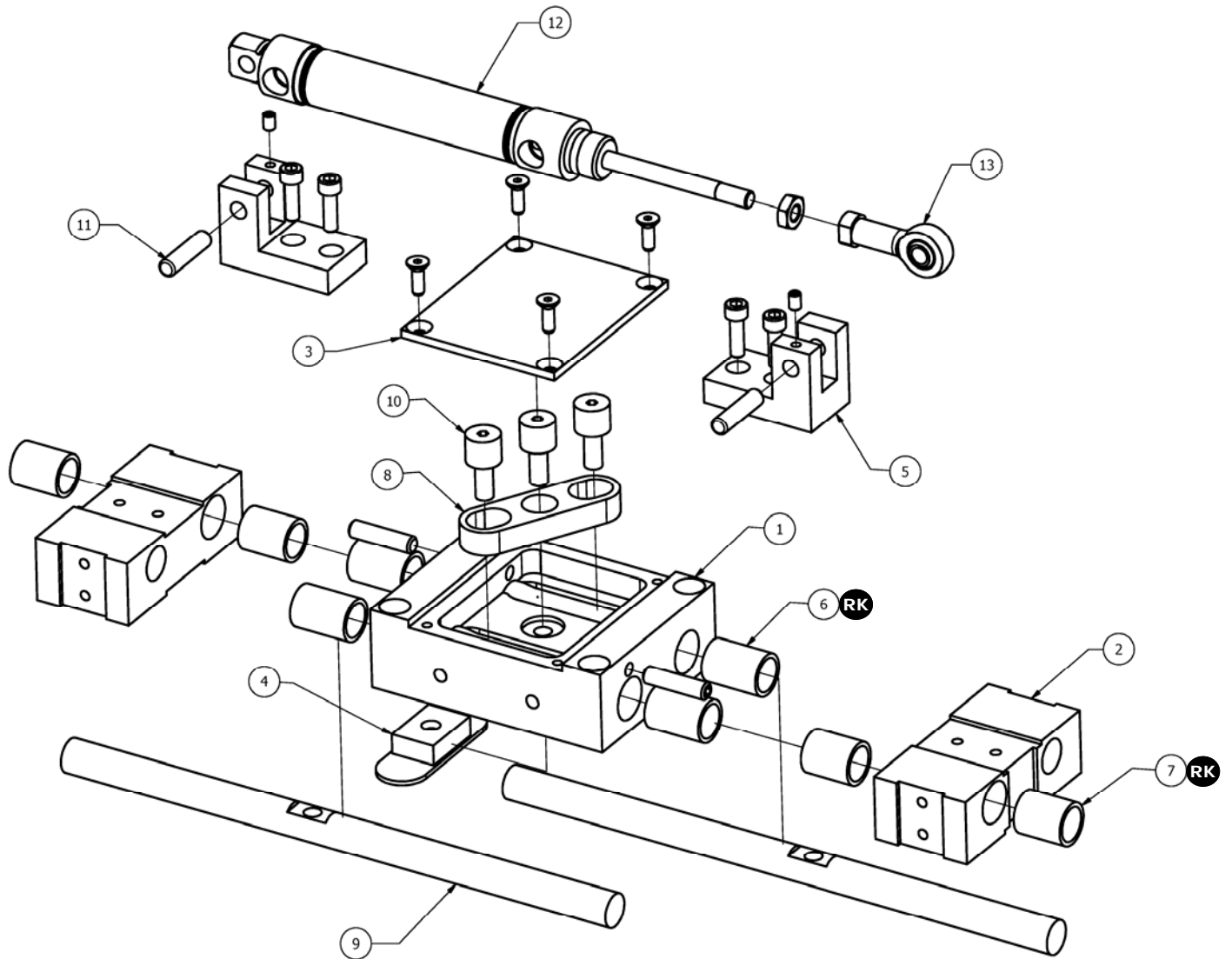


**R&I**  
MANUFACTURING CO.

**DURA-GRIP**  
WIDE BODY  
PARALLEL GRIPPER

**JF-20**

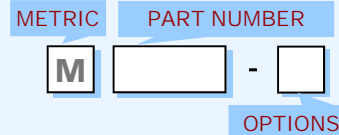
EXPLODED VIEW



**PARTS LIST**

**HOW TO ORDER PARTS**

ITEM	REQ'D	NAME	JF-20	OPTIONS
1	1	Main Body	JF-20-1	
2	2	End Block	JF-20-2	
3	1	Top Cover	JF-20-3	
4	1	Bottom Cover	JF-20-4	
5	2	Bracket	JF-20-5	
6	4	Main Body Bushing *	JF-20-6	
7	4	End Block Bushing *	JF-20-7	
8	1	Link *	JF-20-8	
9	2	Rod *	JF-20-9	
10	3	Cam Follower *	CF-350	
11	2	Pivot Pin *	FPP-305	
12	1	Air Cylinder *	DXP-75	-V <sup>1</sup> -RM <sup>2</sup>
13	1	Rod End *	RE-200	
RK	1	Repair Kit * #	JF-20-RK	-V <sup>1</sup>



**SAMPLE ORDER: JF-20-8**

Ex) JF-20 Link

OPTIONS (see product pages for information)

- 1 - V = Viton
- 2 - RM = Magnetic Sensor Ready

**NOTES**

- \* - Metric code not required
- # - Repair Kits include req'd qty of parts marked with RK